

PLEASE CHECK WWW.MOLEX.COM FOR LATEST PART INFORMATION

Part Number: [73415-3595](#)
Status: **Active**
Overview: SMP Subminiature RF Connectors
Description: 50 Ohms, SMP Edge Mount PCB Plug, Leg Length 1.27mm, One Piece Per Bag

Documents:

[Drawing \(PDF\)](#) [RoHS Certificate of Compliance \(PDF\)](#)

General

Product Family	RF/Coax Connectors
Series	73415
Comments	Edge Mount, Leg Length 1.27mm
Overview	<u>SMP Subminiature RF Connectors</u>
Product Name	SMP
Style	PCB
UPC	884982676855
Wire/Cable Type	N/A

Physical

Gender	Plug
Keying to Mating Part	None
Orientation	Straight
PCB Mounting	Edge Mount
Packaging Type	Bag
Panel Mount	No
Panel Mount Method	N/A
Reverse Polar	No

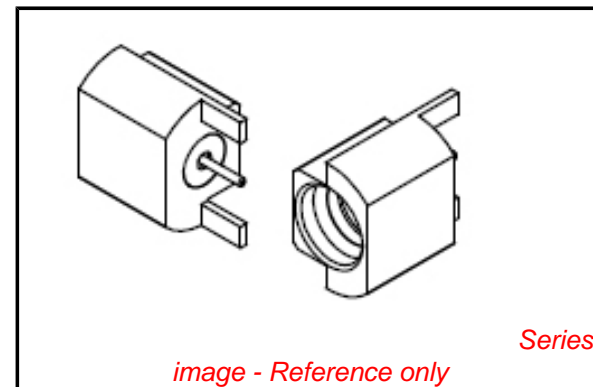
Electrical

Impedance	50#
-----------	-----

Material Info

Reference - Drawing Numbers

Sales Drawing	SD-73415-359
---------------	--------------



EU RoHS

RoHS Compliant RF Product
REACH SVHC Not Reviewed
Low-Halogen Status Not Reviewed

China RoHS



Need more information on product environmental compliance?

Email productcompliance@molex.com
 For a multiple part number RoHS Certificate of Compliance, [click here](#)

Please visit the [Contact Us](#) section for any non-product compliance questions.

Search Parts in this Series

73415Series