

PLEASE CHECK WWW.MOLEX.COM FOR LATEST PART INFORMATION

Part Number: [73415-3640](#)
Status: **Active**
Overview: MCX Subminiature RF Connectors
Description: 75 Ohms, MCX Plug, Right Angle for RG-179 Cable

Documents:

[Drawing \(PDF\)](#) [RoHS Certificate of Compliance \(PDF\)](#)

General

Product Family	RF/Coax Connectors
Series	73415
Overview	<u>MCX Subminiature RF Connectors</u>
Product Name	MCX
Style	Cable
UPC	800756588247
Wire/Cable Type	RG-179

Physical

Cable Attachment	Crimp
Gender	Plug
Keying to Mating Part	None
Net Weight	1.085/g
Orientation	Right Angle
PCB Mounting	N/A
Packaging Type	Bag
Panel Mount	No
Panel Mount Method	N/A
Reverse Polar	No
Shield Type	Single Shield

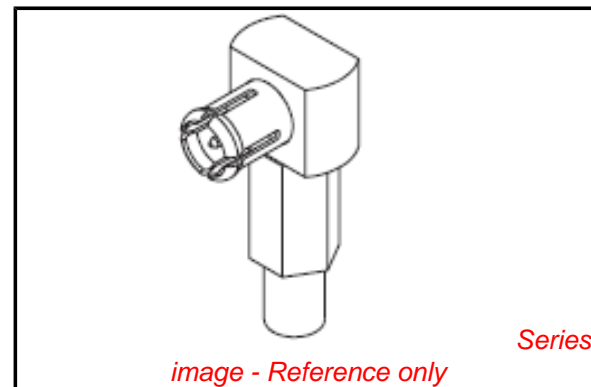
Electrical

Impedance	75#
-----------	-----

Material Info

Reference - Drawing Numbers

Sales Drawing	SD-73415-364
---------------	--------------



EU RoHS

RoHS Compliant RF Product

REACH SVHC

Not Reviewed

Low-Halogen Status

Low-Halogen

China RoHS



Need more information on product environmental compliance?

Email productcompliance@molex.com
 For a multiple part number RoHS Certificate of Compliance, [click here](#)

Please visit the [Contact Us](#) section for any non-product compliance questions.

Search Parts in this Series

[73415Series](#)