

PLEASE CHECK WWW.MOLEX.COM FOR LATEST PART INFORMATION

Part Number: [0734153030](#)
Status: **Active**
Overview: [smp](#)
Description: SMP Right Angle, Cable, Jack, RG405 (.086") Cable

Documents:

[Drawing \(PDF\)](#) [RoHS Certificate of Compliance \(PDF\)](#)

General

| | |
|-----------------|-----------------------|
| Product Family | RF/Coax Connectors |
| Series | 73415 |
| Overview | smp |
| Product Name | SMP |
| Style | Cable |
| Wire/Cable Type | RG-405 (.086) |

Physical

| | |
|-----------------------|---------------|
| Cable Attachment | Solder |
| Gender | Jack |
| Keying to Mating Part | None |
| Orientation | Right Angle |
| PCB Mounting | N/A |
| Packaging Type | Bag |
| Panel Mount | No |
| Panel Mount Method | N/A |
| Reverse Polar | No |
| Shield Type | Single Shield |

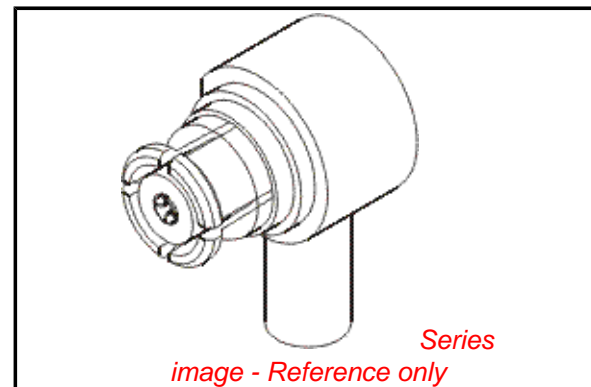
Electrical

| | |
|-----------|-----|
| Impedance | 50# |
|-----------|-----|

Material Info

Reference - Drawing Numbers

| | |
|---------------|--------------|
| Sales Drawing | SD-73415-303 |
|---------------|--------------|



EU RoHS

RoHS Compliant RF Product

REACH SVHC

Not Reviewed

Low-Halogen Status

Not Reviewed

China RoHS



Need more information on product environmental compliance?

Email productcompliance@molex.com
 For a multiple part number RoHS Certificate of Compliance, [click here](#)

Please visit the [Contact Us](#) section for any non-product compliance questions.

Search Parts in this Series

[73415Series](#)