

**PLEASE CHECK WWW.MOLEX.COM FOR LATEST PART INFORMATION**

**Part Number:** [73415-0965](#)  
**Status:** **Active**  
**Overview:** MMCX Microminiature RF Connectors  
**Description:** MMCX Jack, PCB Edge Mount

**Documents:**

[Drawing \(PDF\)](#) [RoHS Certificate of Compliance \(PDF\)](#)

**General**

Product Family	RF/Coax Connectors
Series	<a href="#">73415</a>
Overview	<a href="#">MMCX Microminiature RF Connectors</a>
Product Name	MMCX
Style	PCB
UPC	800756718422
Wire/Cable Type	N/A

**Physical**

Cable Attachment	N/A
Gender	Jack
Keying to Mating Part	None
Orientation	Straight
PCB Mounting	Surface Mount
Packaging Type	Bag
Panel Mount	No
Panel Mount Method	N/A
Reverse Polar	No

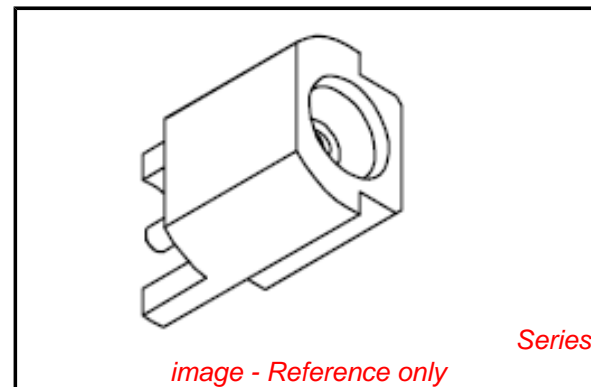
**Electrical**

Impedance	50#
-----------	-----

**Material Info**

**Reference - Drawing Numbers**

Sales Drawing	SD-73415-096
---------------	--------------



*image - Reference only*

**EU RoHS**

**RoHS Compliant RF Product**

**REACH SVHC**

**Not Reviewed**

**Low-Halogen Status**

**Not Reviewed**

**China RoHS**



Pb

**Need more information on product environmental compliance?**

Email [productcompliance@molex.com](mailto:productcompliance@molex.com)  
 For a multiple part number RoHS Certificate of Compliance, [click here](#)

Please visit the [Contact Us](#) section for any non-product compliance questions.

**Search Parts in this Series**

[73415Series](#)