

PLEASE CHECK WWW.MOLEX.COM FOR LATEST PART INFORMATION

Part Number: [73413-0070](#)
Status: **Active**
Overview: SSMCX Coaxial RF Connectors
Description: 50 Ohms SSMCX Plug, Right Angle for RG-178 & RF-196 Cable

Documents:

[Drawing \(PDF\)](#) [RoHS Certificate of Compliance \(PDF\)](#)

General

Product Family	RF/Coax Connectors
Series	73413
Overview	SSMCX Coaxial RF Connectors
Product Name	SSMCX
Style	Cable
UPC	822350941952
Wire/Cable Type	RG-178, RG-196

Physical

Cable Attachment	N/A
Gender	Plug
Keying to Mating Part	None
Net Weight	0.523/g
Orientation	Right Angle
PCB Mounting	N/A
Packaging Type	Bag
Panel Mount	No
Panel Mount Method	N/A
Reverse Polar	No
Shield Type	Single Shield

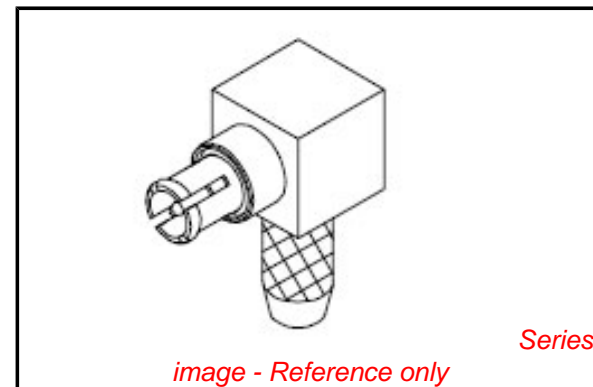
Electrical

Impedance	50#
-----------	-----

Material Info

Reference - Drawing Numbers

Sales Drawing	SD-73413-007
---------------	--------------



EU RoHS

RoHS Compliant RF Product

REACH SVHC

Not Reviewed

Low-Halogen Status

Low-Halogen

China RoHS



Need more information on product environmental compliance?

Email productcompliance@molex.com
 For a multiple part number RoHS Certificate of Compliance, [click here](#)

Please visit the [Contact Us](#) section for any non-product compliance questions.

Search Parts in this Series

[73413Series](#)