

PLEASE CHECK WWW.MOLEX.COM FOR LATEST PART INFORMATION

Part Number: [73412-0502](#)
Status: **Active**
Overview: RF/Microwave Products
Description: UFL to UFL, 0.81mm Cable Diameter, Length 110.00MM (4.331"), 50 Ohms

Documents:

[Drawing \(PDF\)](#) [RoHS Certificate of Compliance \(PDF\)](#)

General

Product Family	Cable Assemblies
Series	73412
Comments	H18, compatible with Hirose U.fl
Connector to Connector	Microcoaxial-to-Microcoaxial
Overview	RF/Microwave Products
Product Name	RF, UFL
UPC	822348683109

Physical

Cable Length	110.00mm
Circuits (Loaded)	0
Gender	Plug/Plug
Net Weight	0.530/g
Single Ended	No
Wire/Cable Type	N/A

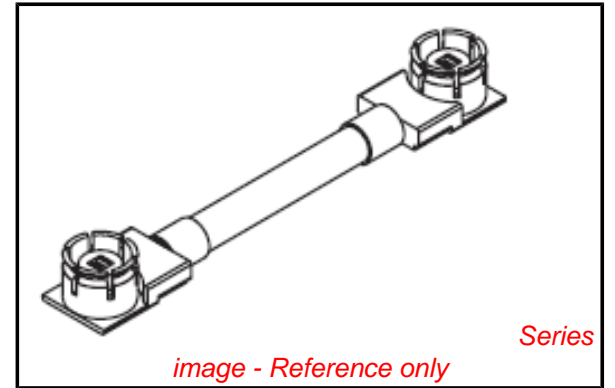
Electrical

Impedance	50#
-----------	-----

Material Info

Reference - Drawing Numbers

Sales Drawing	SD-73118-025, SD-73412-050
---------------	----------------------------



EU RoHS

RoHS Compliant RF Product

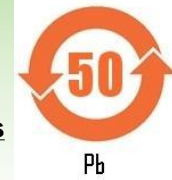
REACH SVHC

Contains SVHC: No

Low-Halogen Status

Low-Halogen

China RoHS



Need more information on product environmental compliance?

Email productcompliance@molex.com
 For a multiple part number RoHS Certificate of Compliance, [click here](#)

Please visit the [Contact Us](#) section for any non-product compliance questions.

Search Parts in this Series

[73412Series](#)