

PLEASE CHECK WWW.MOLEX.COM FOR LATEST PART INFORMATION

Part Number: [0734041390](#)
Status: **Active**
Overview: [SMB RF Connectors](#)
Description: 50 Ohms, SMB Plug, Right-Angle, PCB Mount

Documents:

[3D Model](#) [3D Model \(PDF\)](#)
[Drawing \(PDF\)](#) [RoHS Certificate of Compliance \(PDF\)](#)

General

Product Family [RF/Coax Connectors](#)
 Series [73404](#)
 Overview [SMB RF Connectors](#)
 Product Name [SMB](#)
 Style [PCB](#)
 Taxonomy [RF / Coaxial Connectors](#)
 Type [Subminiature](#)
 UPC [756054911303](#)
 Wire/Cable Type [N/A](#)

Physical

Gender [Plug](#)
 Keying to Mating Part [None](#)
 Net Weight [5.154/g](#)
 Orientation [Right Angle](#)
 PCB Mounting [Through Hole](#)
 PCB Thickness - Recommended [3.81mm](#)
 Packaging Type [Tray](#)
 Panel Mount [No](#)
 Panel Mount Method [N/A](#)

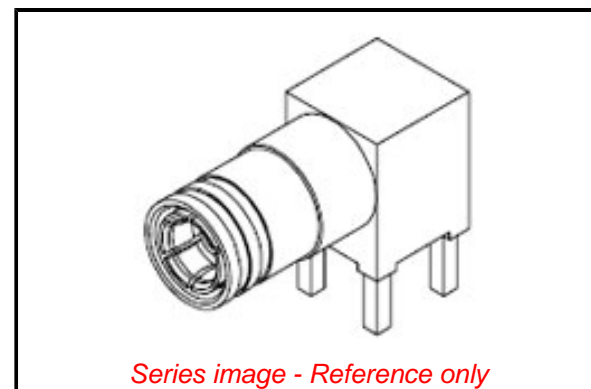
Electrical

Frequency [4 GHz](#)
 Impedance [50Ω](#)
 Power / Voltage [VOLTAGE: 335 Vrms@Sea Level](#)

Material Info

Reference - Drawing Numbers

Sales Drawing [SD-73404-139-001](#)



EU ELV

Not Relevant

EU RoHS

Compliant with Exemption 6(c)

REACH SVHC

Contained Per -
 D(2022)4187-DC (10
 June 2022)

Lead

Halogen-Free

Status

Low-Halogen

For more information, please visit [Contact US](#)

China ROHS

50 Image

ELV

Not Relevant

RoHS Phthalates

Not Contained

Search Parts in this Series

[73404 Series](#)