

Data Sheet | Item Number: 734-133/108-000

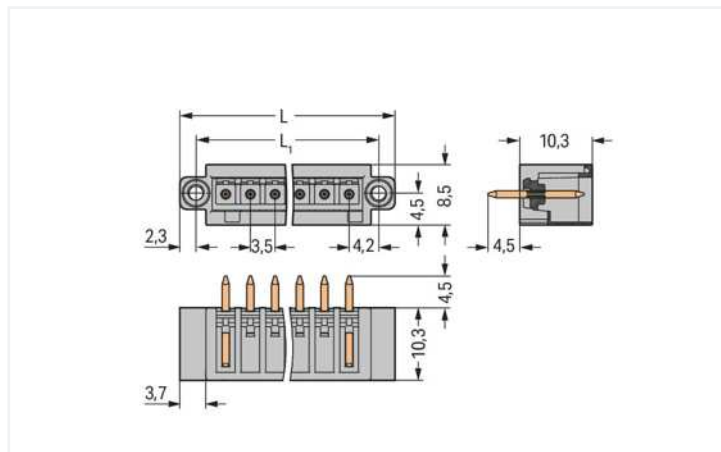
THT male header; 1.0 x 1.0 mm solder pin; straight; 100% protected against mismatching; Threaded flange; Pin spacing 3.5 mm; 3-pole; light gray

<https://www.wago.com/734-133/108-000>



Color: ■ light gray

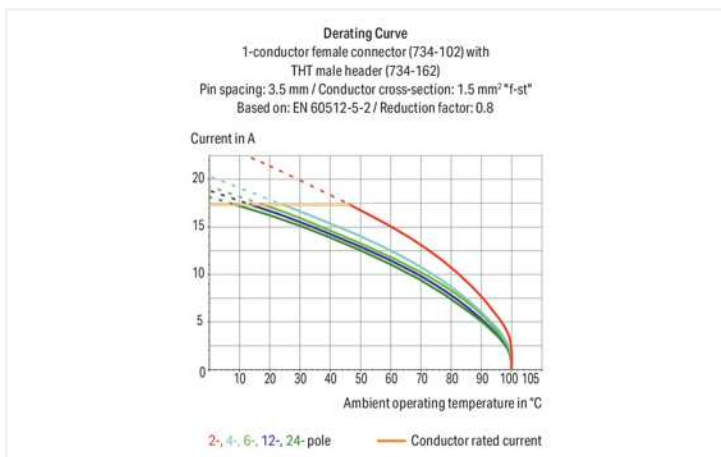
Similar to illustration



Dimensions in mm

$L = (\text{pole no.} \times \text{pin spacing}) + 9.5 \text{ mm}$

$L1 = (\text{pole no.} \times \text{pin spacing}) + 4.9 \text{ mm}$



- Horizontal or vertical PCB mounting via straight or angled solder pins
- 100% protected against mismatching; only mating halves with the same number of poles can be connected together
- Coding option available

Notes

Safety information

The MCS – MULTI CONNECTION SYSTEM includes connectors without breaking capacity in accordance with DIN EN 61984. When used as intended, these connectors must not be connected/disconnected when live or under load. When used as intended, these connectors must not be connected/disconnected when live or under load. The circuit design should ensure header pins, which can be touched, are not live when unmated.

Variants:

Other pole numbers

Gold-plated or partially gold-plated contact surfaces

Other versions (or variants) can be requested from WAGO Sales or configured at <https://configurator.wago.com/>.

Electrical data

Rated per	IEC/EN 60664-1		
Overtoltage category	III	III	II
Pollution degree	3	2	2
Nominal voltage	160 V	160 V	320 V
Rated surge voltage	2.5 kV	2.5 kV	2.5 kV
Rated current	10 A	10 A	10 A

Approvals per	UL 1059		
Use group	B	C	D
Rated voltage	300 V	-	300 V
Rated current	10 A	-	10 A

Approvals per	CSA		
	B	C	D
Use group	B	C	D
Rated voltage	300 V	-	300 V
Rated current	10 A	-	10 A

Connection data

Total number of potentials	3	Connection 1	
Number of connection types	1	Pole number	3
Number of levels	1		

Physical data

Pin spacing	3.5 mm / 0.138 inches
Width	20 mm / 0.787 inches
Height	14.8 mm / 0.583 inches
Height from the surface	10.3 mm / 0.406 inches
Depth	8.5 mm / 0.335 inches
Solder pin length	4.5 mm
Solder pin dimensions	1 x 1 mm
Drilled hole diameter with tolerance	1.4 ^(+0.1) mm

Mechanical data

Variable coding	Yes
Anti-rotation protection	Yes

Plug-in connection

Contact type (pluggable connector)	Male connector/plug
Connector (connection type)	for PCB
Mismating protection	Yes
Mating direction to the PCB	90 °
Locking of plug-in connection	Threaded flange

PCB contact

PCB contact	THT
Solder pin arrangement	over the entire male connector (in-line)
Number of solder pins per potential	1

Material data

Note (material data)	Information on material specifications can be found here
Color	light gray
Material group	I
Insulation material	Polyamide (PA66)
Flammability class per UL94	V0
Contact material	Electrolytic copper (E _{CU})
Contact plating	Tin
Fire load	0.023 MJ
Weight	1.4 g

Environmental requirements

Limit temperature range	-60 ... +100 °C
Processing temperature	-35 ... +60 °C

Commercial data

Product Group	3 (Multi Conn. System)
eCl@ss 10.0	27-44-04-02
eCl@ss 9.0	27-44-04-02
ETIM 8.0	EC002637
ETIM 7.0	EC002637
PU (SPU)	200 pcs
Packaging type	Box
Country of origin	DE
GTIN	4045454682903
Customs tariff number	85366930000

Environmental Product Compliance

CAS-No.	7439-92-1
REACH Candidate List Substance	Lead
RoHS Compliance Status	Compliant,With Exemption
RoHS Exemption	6(c)
SCIP notification number (Austria)	5461685e-21f6-4240-a7cd-db8f6d906320
SCIP notification number (Belgium)	ab772f7f-c1dc-48ec-842c-792b037664cd
SCIP notification number (Bulgaria)	475566a5-2450-4424-a42d-91391b1292f1
SCIP notification number (Czech Republic)	666198f4-f82b-42f2-8765-e2bf23fc3ba6
SCIP notification number (Denmark)	83fddc2b-d96e-419f-8cb9-7b8eeab7d941
SCIP notification number (Finland)	ccaecf38-8e4b-467f-9c37-50254f8c5a4b
SCIP notification number (France)	fda829d6-c042-4fbf-b468-efc70434c073
SCIP notification number (Germany)	d00b3bf8-7896-4b54-9361-da43767cf702
SCIP notification number (Hungary)	b9ade479-c552-4efd-85a5-cb79f7b2fb80
SCIP notification number (Italy)	473fe0f8-3c3a-4041-a3c2-2d62ac695542
SCIP notification number (Netherlands)	ccfde1e2-25cf-44b3-8ecd-639e53ad31fb
SCIP notification number (Poland)	71b08488-dbe6-4fb5-a87c-d9c9ab9e5260
SCIP notification number (Romania)	6a8ed7f4-4359-467a-8eeb-6756a8b56a27
SCIP notification number (Sweden)	32b65400-2f67-4f91-8187-0fd3292e2375

Approvals / Certificates

General approvals



Approval	Standard	Certificate Name
CSA DEKRA Certification B.V.	C22.2	1465035
UL Underwriters Laboratories Inc.	UL 1977	E 45171
UR Underwriters Laboratories Inc.	UL 1059	E45172

Declarations of conformity and manufacturer's declarations



Approval	Standard	Certificate Name
Railway WAGO GmbH & Co. KG	-	Railway Ready

Approvals for marine applications



Approval	Standard	Certificate Name
BV Bureau Veritas S.A.	IEC 60998	11915/D0 BV

Downloads

Environmental Product Compliance

Compliance Search
Environmental Product Compliance 734-133/108-000

Documentation

Additional Information
Technical Section 03.04.2019 pdf 2010.85 KB

CAD/CAE-Data

CAD data
2D/3D Models 734-133/108-000

CAE data
ZUKEN Portal 734-133/108-000

1 Compatible Products

1.1 System counterpart

1.1.1 Female connector/socket



Item No.: 734-103/107-000
1-conductor female connector; CAGE CLAMP®; 1.5 mm²; Pin spacing 3.5 mm; 3-pole; 100% protected against mismatching; Screw flange; 1,50 mm²; light gray



Item No.: 2734-103/107-000
1-conductor female connector; push-button; Push-in CAGE CLAMP®; 1.5 mm²; Pin spacing 3.5 mm; 3-pole; 100% protected against mismatching; Screw flange; 1,50 mm²; light gray

1.2 Optional Accessories

1.2.1 Coding

1.2.1.1 Coding



Item No.: 734-159

Coding key; to be snapped above top level; black

Item No.: 734-130

Coding key; to be snapped above top level; white

Installation Notes

Coding



Coding a male header – fitting coding key(s).