

PLEASE CHECK WWW.MOLEX.COM FOR LATEST PART INFORMATION

Part Number: [73356-0400](#)
Status: **Active**
Overview: Type F RF Connectors
Description: 75 Ohms F Right Angle Jack

Documents:

[Drawing \(PDF\)](#) [RoHS Certificate of Compliance \(PDF\)](#)
[Product Specification PS-89675-3640 \(PDF\)](#)

General

Product Family	RF/Coax Connectors
Series	73356
Overview	Type F RF Connectors
Product Name	F
Style	PCB
UPC	822350107884
Wire/Cable Type	N/A

Physical

Cable Attachment	N/A
Gender	Jack
Keying to Mating Part	None
Net Weight	13.430/g
Orientation	Right Angle
PCB Mounting	Through Hole
PCB Thickness - Recommended	2.79mm
Packaging Type	Bag
Panel Mount	No
Panel Mount Method	N/A
Reverse Polar	No

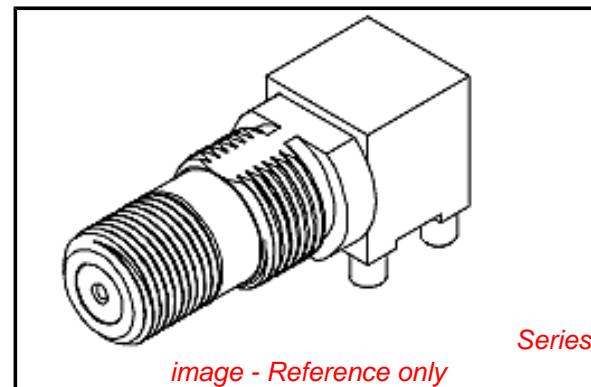
Electrical

Impedance	75#
-----------	-----

Material Info

Reference - Drawing Numbers

Product Specification	PS-89675-3640
Sales Drawing	SD-73356-040



EU RoHS

RoHS Compliant RF Product

REACH SVHC

Not Reviewed

Low-Halogen Status

Low-Halogen

China RoHS



Need more information on product environmental compliance?

Email productcompliance@molex.com
 For a multiple part number RoHS Certificate of Compliance, [click here](#)

Please visit the [Contact Us](#) section for any non-product compliance questions.

Search Parts in this Series

[73356Series](#)