

s.85 full port 1/4"-2" hot forged brass ball valves



Features and Specifications:

- Hot forged sand blasted, nickel plated body and cap sealed with Loctite or equivalent thread sealant
- Approved by WRAS (UK), GOST-R (RU), Hygenic (RU), ROSTEKHNADZOR (RU), UkrSevro (U)
- Finest brass according to EN 12165 and EN 12164 (formerly DIN 17660 and UNI 5705-65) specifications
- Full port to DIN 3357 for maximum flow
- 24h 100% seal test guaranteed
- Pure PTFE self-lubricating seats with flexible-lip design
- Dual sealing system allows valve to be operated in either direction making installation easier
- Chrome plated brass ball for longer life
- No metal-to-metal moving parts
- Blowout-proof nickel plated brass stem
- Pure PTFE adjustable packing gland and washer for lower torque and easy maintenance
- Handle stops on body to avoid stresses at stem
- Geomet® carbon steel handle with thick PVC dip coating
- Handle clearly shows ball position
- EN 10226-1, ISO 228 parallel Female by Female threads
- Silicone-free lubricant on all seals
- 40 bar (Kg/cm²) non-shock cold water pressure
- Range: -40°C +170°C temperature (Warning: freezing of the fluid in the installation may severely damage the valve)



Options:

- Stem extension
- T-handle
- Oval lockable handle
- AISI 430 stainless steel handle
- Patented locking device

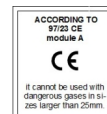
Upon request:

- AISI 316 stainless steel ball and/or stem
- Glass filled PTFE seats
- Custom design

Approved By:



NOTE: Approvals apply to specific configurations only.



RUB RUBINETTERIE UTENSILERIE BONOMI

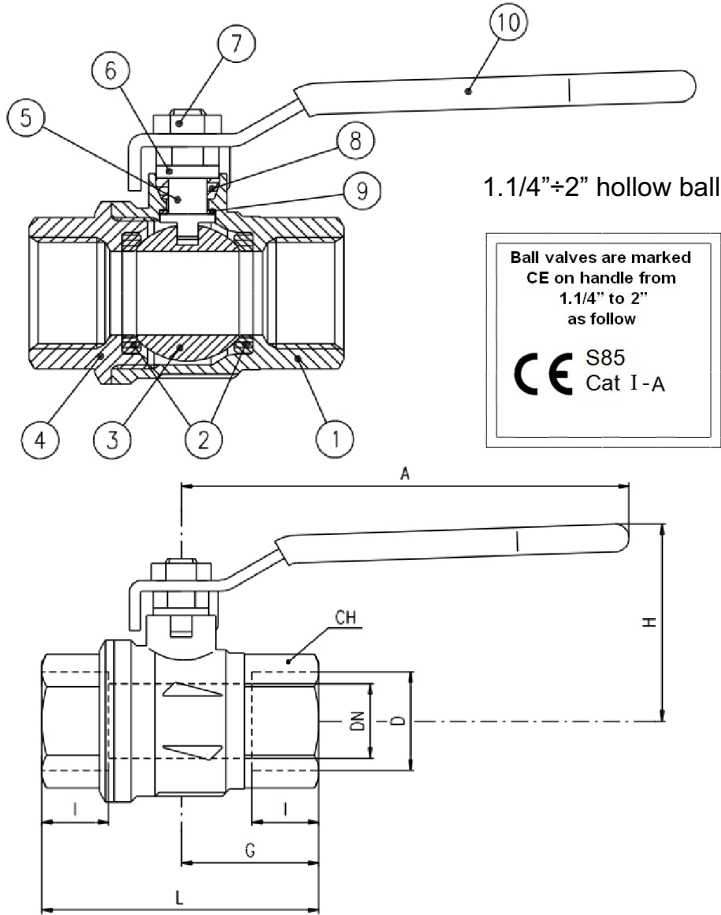
Via Padana Superiore 27/29 25080 Ciliverghe di Mazzano (Bs) Italy
Ph: +39 030 212441 - Fax: +39 030 2629498
sales@rubvalves.com - www.rubvalves.com



s.85 full port 1/4"-2" hot forged brass ball valves



Technical Specifications:

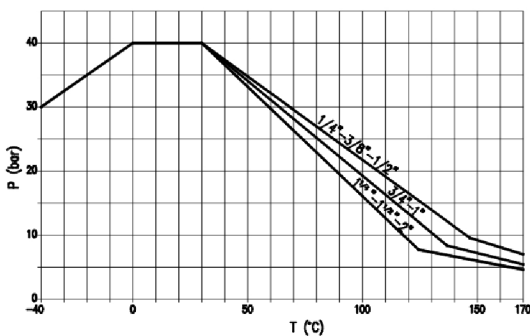


PART DESCRIPTION	Q.ty	Material
1 Nickel plated body	1	CW617N
2 Seat	2	Ptfe
3 Chrome plated ball	1	CW617N
4 Nickel plated end cap	1	CW617N
5 Nickel plated stem packing gland design	1	CW617N
6 Nickel plated gland nut	1	CW617N
7 Geomet® nut	1	CB4FF
8 Packing gland seal	1	Ptfe
9 Washer	1	Ptfe
10 Black PVC coated geomet® steel handle	1	DD11

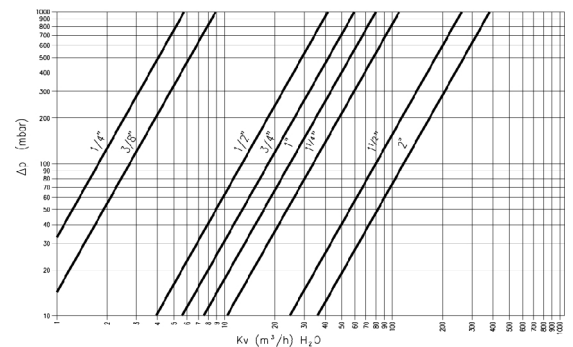
Code	S85B01	S85C01	S85D01	S85E01	S85F01	S85G01	S85H01	S85I01
D (inch)	1/4	3/8	1/2	3/4	1	1 1/4	1 1/2	2
DN(mm)	8	10	15	20	25	32	40	50
I (mm)	12	12	15.5	17	21	23	23	26.5
L (mm)	45	45	59	64	81	93	102	121
G (mm)	22.5	22.5	29.5	32	40.5	46.5	51	60.5
A (mm)	82	82	100	120	120	158	158	158
H (mm)	39.5	39.5	43	50.5	54.5	76	82	89
CH(mm)	20	20	25	31	40	49	54	68.5

Ask for additional information on the whole range of RuB valves and consult with your supplier for special applications.

Pressure - Temperature Chart



Pressure Drop Chart



The company reserves all rights for the information contained herein. Products may be changed at any time without notice. Any undated reference to a code or standard shall be interpreted as referring to the latest edition. RuB and logo are registered trademark of RuB-Rubinetteria utensilerie Bonomi. Others logos are property of respective owners.

RUB RUBINETTERIE UTENSILERIE BONOMI

Via Padana Superiore 27/29 25080 Ciliverghe di Mazzano (Bs) Italy
Ph: +39 030 212441 - Fax: +39 030 2629498
sales@rubvalves.com - www.rubvalves.com

