

## Professionally approved products.

# Datasheet

## s.90

### full port 1/4"-4" hot forged brass ball valves



#### Quality:

- 24h 100% seal test guaranteed
- Dual sealing system allows valve to be operated in either direction making installation easier
- No metal-to-metal moving parts
- No maintenance ever required
- Handle clearly shows ball position
- Silicone-free lubricant on all seals
- Chrome plated brass ball for longer life
- Travel stops on body to avoid stresses at stem

#### Body:

- Hot forged sand blasted, external nickel plated brass body and cap sealed with Loctite® or equivalent thread sealant
- Finest brass according to EN 12165 and EN 12164 (formerly DIN 17660 and UNI 5705-65) specifications

#### Stem:

- Blowout-proof nickel plated brass stem
- Two FPM O-rings at the stem for maximum safety

#### Seals:

- Pure PTFE self-lubricating seats with flexible-lip design

#### PED Directives:

- According to 97/23 CE module A: it cannot be used with dangerous gases in sizes larger than 25mm



#### Threads:

- ISO 228 parallel female by female threads

#### Flow:

- Full port to DIN 3357 for maximum flow

#### Handle:

- Geomet® carbon steel handle with thick PVC dip coating. Handle coating offers both thermal and electrical protection
- Handle removable with valve in service

#### Working Pressure:

- 40 Bar (600 PSI) up to 2", 30 Bar (450 PSI) over 2"
- non-shock cold working pressure

#### Working Temperature:

- -40°C (-40°F) / +170°C (+350°F)
- Warning: freezing of the fluid in the installation may severely damage the valve

#### Options:

- Stem extension
- T-handle
- AISI 430 stainless steel handle
- Patented locking device
- Dezincification resistant brass body and components
- Oval lockable handle up to 2", round over 2"
- Male by Female threads
- Male by Male threads

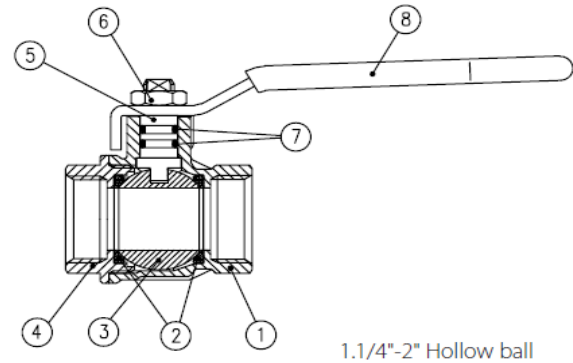
#### Upon Request:

- AISI 316 stainless steel ball
- Glass filled PTFE seals
- Custom Design

**Approved by or in compliance with:**

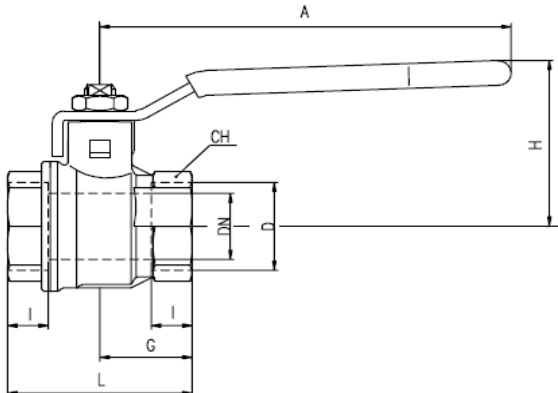
- Water Regulations Advisory Scheme (United Kingdom)
- GOST-R (Russia)
- Hygiene and epidemic center in Moscow city (Russia)
- UkrSepro (Ukraine)
- RoHS Compliant
- EAC - Declaration of conformity (Russia-Kazakhstan-Belarus)

**NOTE:** Approvals apply to specific configurations/sizes only.



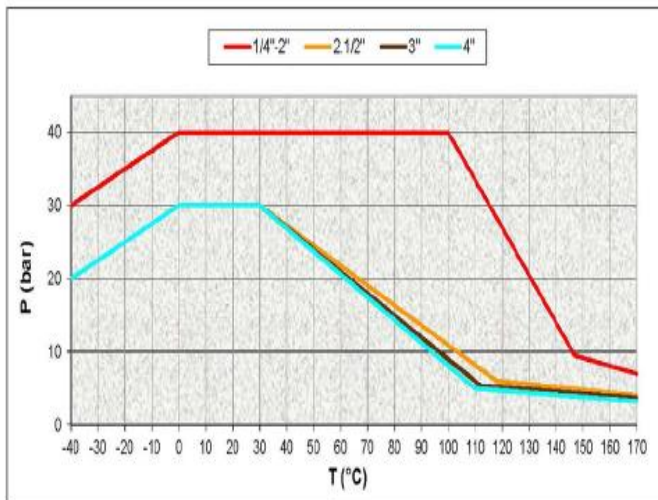
1.1/4"-2" Hollow ball

	PART DESCRIPTION	Q.TY	MATERIAL
1	Nickel plated body (external nickel plated, unplated inside up to 2")	1	CW617N
2	Seat	2	PTFE
3	Chrome plated ball	1	CW617N
4	Nickel plated end cap (external nickel plated, unplated inside up to 2")	1	CW617N
5	Nickel plated stem O-ring design	1	CW617N
6	Geomet® nut	1	CB4FF
7	O-Ring	2	FPM
8	Red PVC coated Geomet® steel handle	1	DD11



Code	S90B00	S90C00	S90D00	S90E00	S90F00	S90G00	S90H00	S90I00	S90L00	S90M00	S90N00
D (inch)	1/4	3/8	1/2	3/4	1	1 1/4	1 1/2	2	2 1/2	3	4
DN (mm)	8	10	15	20	25	32	40	50	65	80	100
l (mm)	9	9	11	12	14	15	17	19	22	25	29
L (mm)	39	39	50	54	67	77	90	106	136	157	191
G (mm)	19,5	19,5	25	27	33,5	38,5	45	53	68	78,5	95,5
A (mm)	82	82	100	120	120	158	158	158	255	255	255
H (mm)	38	38	43	50	54	73	79	86	132	140	154
CH (mm)	20	20	25	31	38	48	54	66	85	99	125

**Pressure-Temperature Chart**



**Pressure Drop Chart**

