

**PLEASE CHECK WWW.MOLEX.COM FOR LATEST PART INFORMATION**

**Part Number:** [73276-2360](#)  
**Status:** **Active**  
**Overview:** Type N RF Connectors  
**Description:** 50 Ohms N Plug Straight for RG-58 Cable

**Documents:**

[Drawing \(PDF\)](#) [RoHS Certificate of Compliance \(PDF\)](#)

**General**

Product Family	RF/Coax Connectors
Series	<a href="#">73276</a>
Overview	<a href="#">Type N RF Connectors</a>
Product Name	N
Style	Cable
UPC	884982643222
Wire/Cable Type	RG-58

**Physical**

Cable Attachment	Crimp
Gender	Plug
Keying to Mating Part	None
Orientation	Straight
PCB Mounting	N/A
Packaging Type	Tray
Panel Mount	No
Panel Mount Method	N/A
Shield Type	Single Shield

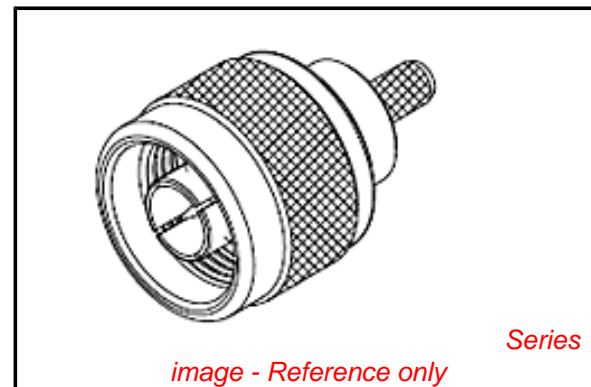
**Electrical**

Impedance	50#
-----------	-----

**Material Info**

**Reference - Drawing Numbers**

Sales Drawing	SD-73100-0042, SD-73276-236
---------------	-----------------------------



*image - Reference only*

**EU RoHS**

**RoHS Compliant RF Product**

**REACH SVHC**

**Not Reviewed**

**Low-Halogen Status**

**Not Reviewed**

**China RoHS**



Pb

**Need more information on product environmental compliance?**

Email [productcompliance@molex.com](mailto:productcompliance@molex.com)  
 For a multiple part number RoHS Certificate of Compliance, [click here](#)

Please visit the [Contact Us](#) section for any non-product compliance questions.

**Search Parts in this Series**

[73276Series](#)