

PLEASE CHECK WWW.MOLEX.COM FOR LATEST PART INFORMATION

Part Number: [73276-0191](#)
Status: **Active**
Overview: Type N RF Connectors
Description: 50 Ohms, N Right-Angle Plug, Crimp, RG-141, RG-303 and RG-58 Cable, One Piece Per Bag

Documents:
[Drawing \(PDF\)](#)

[RoHS Certificate of Compliance \(PDF\)](#)

General

Product Family	RF/Coax Connectors
Series	73276
Overview	Type N RF Connectors
Product Name	N
Style	Cable
UPC	884982654952
Wire/Cable Type	RG-58

Physical

Gender	Plug
Keying to Mating Part	None
Orientation	Right Angle
PCB Mounting	N/A
Packaging Type	Bag
Panel Mount	No
Panel Mount Method	N/A
Reverse Polar	No
Shield Type	Single Shield

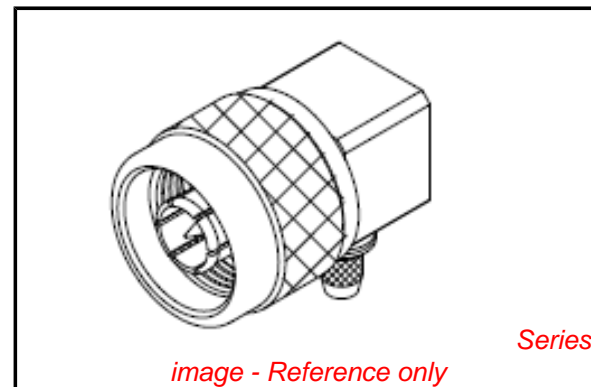
Electrical

Impedance	50#
-----------	-----

Material Info

Reference - Drawing Numbers

Sales Drawing	SD-73276-019
---------------	--------------



EU RoHS

RoHS Compliant RF Product

REACH SVHC

Not Reviewed

Low-Halogen Status

Not Reviewed

China RoHS



Need more information on product environmental compliance?

Email productcompliance@molex.com
 For a multiple part number RoHS Certificate of Compliance, [click here](#)

Please visit the [Contact Us](#) section for any non-product compliance questions.

Search Parts in this Series
[73276Series](#)