

**PLEASE CHECK WWW.MOLEX.COM FOR LATEST PART INFORMATION**

**Part Number:** [0732760190](#)  
**Status:** **Active**  
**Overview:** [type\\_n](#)  
**Description:** N 50 Ohm, Right Angle Plug, Crimp, RG58, 141, 303

**Documents:**

[Drawing \(PDF\)](#) [RoHS Certificate of Compliance \(PDF\)](#)

**General**

|                 |                        |
|-----------------|------------------------|
| Product Family  | RF/Coax Connectors     |
| Series          | <a href="#">73276</a>  |
| Overview        | <a href="#">type_n</a> |
| Product Name    | N                      |
| Style           | Cable                  |
| Wire/Cable Type | RG-141, RG-303, RG-58  |

**Physical**

|                       |               |
|-----------------------|---------------|
| Cable Attachment      | Crimp         |
| Gender                | Plug          |
| Keying to Mating Part | None          |
| Orientation           | Right Angle   |
| PCB Mounting          | N/A           |
| Packaging Type        | Bag           |
| Panel Mount           | No            |
| Panel Mount Method    | N/A           |
| Reverse Polar         | No            |
| Shield Type           | Single Shield |

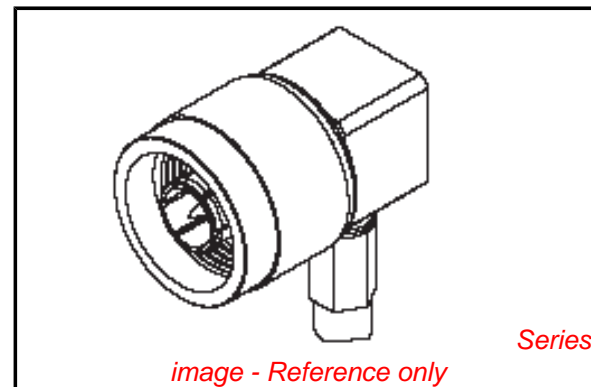
**Electrical**

|           |     |
|-----------|-----|
| Impedance | 50# |
|-----------|-----|

**Material Info**

**Reference - Drawing Numbers**

|               |              |
|---------------|--------------|
| Sales Drawing | SD-73276-019 |
|---------------|--------------|



**EU RoHS**

**RoHS Compliant RF Product**

**REACH SVHC**

**Not Reviewed**

**Low-Halogen Status**

**Not Reviewed**

**China RoHS**



Pb

**Need more information on product environmental compliance?**

Email [productcompliance@molex.com](mailto:productcompliance@molex.com)  
 For a multiple part number RoHS Certificate of Compliance, [click here](#)

Please visit the [Contact Us](#) section for any non-product compliance questions.

**Search Parts in this Series**

[73276Series](#)