

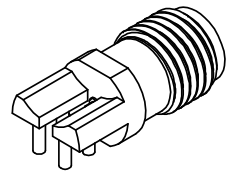
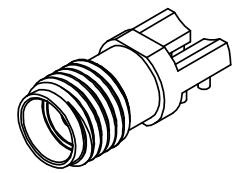
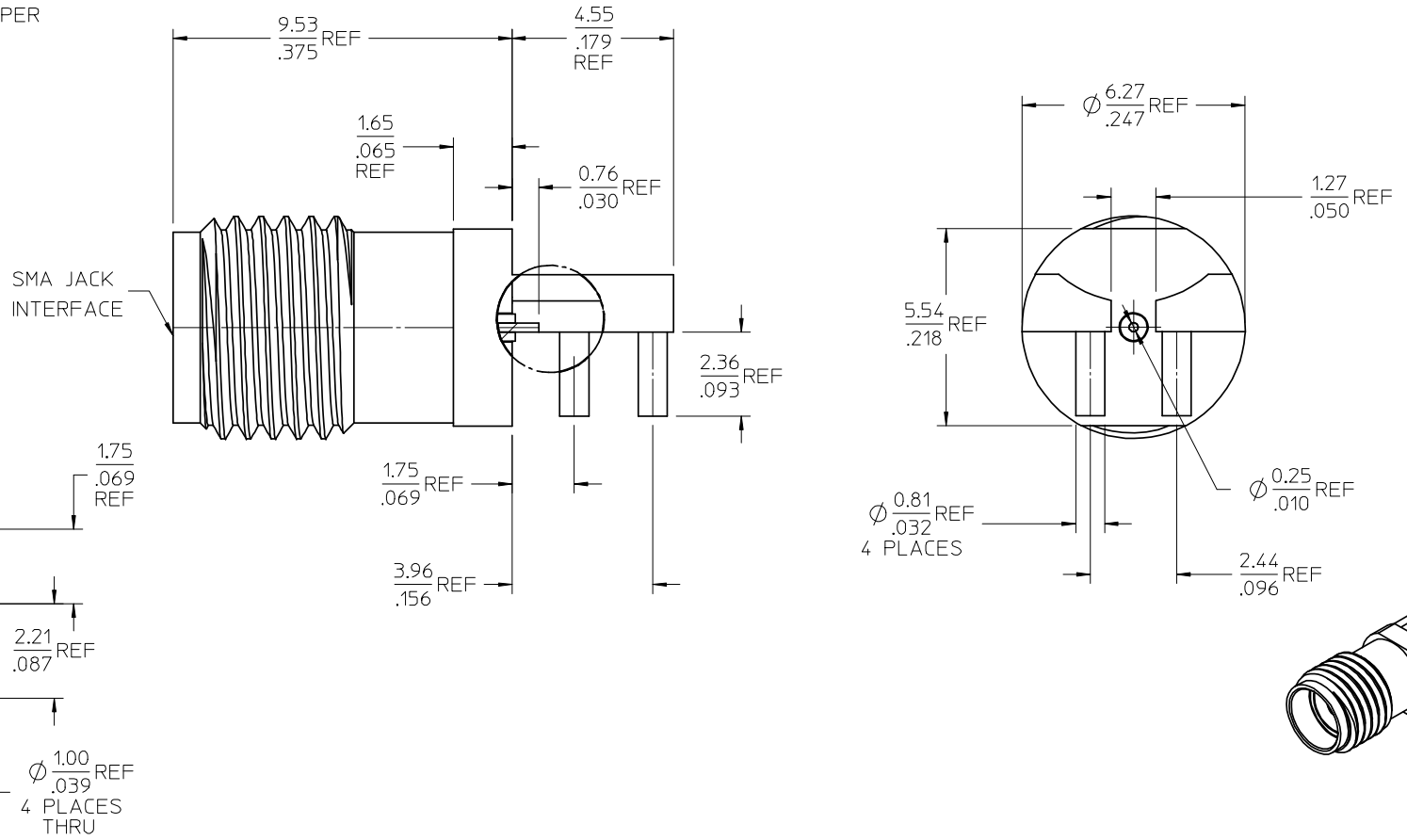
MATERIALS AND FINISHES

BODY BRASS
PLATED SEE TABLE

CENTER CONTACT BERYLLIUM COPPER
PLATED GOLD

INSULATOR TEFLON

COUPLING PROOF TORQUE:
1.695 N-m(15 IN-LB) MAXIMUM



RECOMMENDED PCB LAYOUT

PS-89675-3670	PRODUCT SPECIFICATION
MIL-STD-348A, FIG. 310.2	INTERFACE
SPECIFICATION	DESCRIPTION

73251-3461	NICKEL
73251-3460	GOLD
PART NO.	PLATING/FINISH

CHG: UPDATED DEPICTION OF INSULATOR. ADDED PRODUCT SPECIFICATION COUPLING TORQUE WAS 0.902 N-m	EC NO: URF2009-0080 2008/08/18 DRW:SSHAH CHKD:FLAHERTY APPR:JWIENER 2008/08/18	DESCRIPTION SMA JACK, PCB, EDGEMOUNT 50 OHMS, EWR3652 SMA-J/PCB	QUALITY SYMBOLS ▽=0 ▽=0	GENERAL TOLERANCES (UNLESS SPECIFIED)	DIMENSION STYLE MM/IN	SCALE	DESIGN UNITS METRIC	THIRD ANGLE PROJECTION	TITLE	MATERIAL NO.	DOCUMENT NO.	SHEET NO.
A1				4 PLACES ± --- ± --- 3 PLACES ± --- ± --- 2 PLACES ± --- ± --- 1 PLACE ± --- ± ---	DRAWN BY DATE SSS 2008/06/13 CHECKED BY DATE AZR 2008/06/13 APPROVED BY DATE JDW 2008/06/13				SMA JACK, PCB, EDGEMOUNT 50 OHMS, EWR3652 SMA-J/PCB	73251-3461	SD-73251-346	1 OF 1
				ANGULAR ± 2 °					MOLEX INCORPORATED			
				DRAFT WHERE APPLICABLE MUST REMAIN WITHIN DIMENSIONS	SEE TABLE				THIS DRAWING CONTAINS INFORMATION THAT IS PROPRIETARY TO MOLEX INCORPORATED AND SHOULD NOT BE USED WITHOUT WRITTEN PERMISSION			