

**PLEASE CHECK WWW.MOLEX.COM FOR LATEST PART INFORMATION**

**Part Number:** [73251-0191](#)  
**Status:** **Active**  
**Overview:** RF/Microwave Products  
**Description:** SMA Right Angle Plug, Crimp, RG-141, RG-303 and RG-58 Cable, Passivated Stainless Steel

**Documents:**

[Drawing \(PDF\)](#) [RoHS Certificate of Compliance \(PDF\)](#)

**General**

Product Family	RF/Coax Connectors
Series	<a href="#">73251</a>
Overview	<a href="#">RF/Microwave Products</a>
Product Name	SMA
Style	Cable
UPC	800756015231
Wire/Cable Type	RG-141, RG-303, RG-58

**Physical**

Cable Attachment	Crimp
Gender	Plug
Keying to Mating Part	None
Net Weight	5.361/g
Orientation	Right Angle
PCB Mounting	N/A
Packaging Type	Bag
Panel Mount	No
Panel Mount Method	N/A
Reverse Polar	No
Shield Type	Single Shield

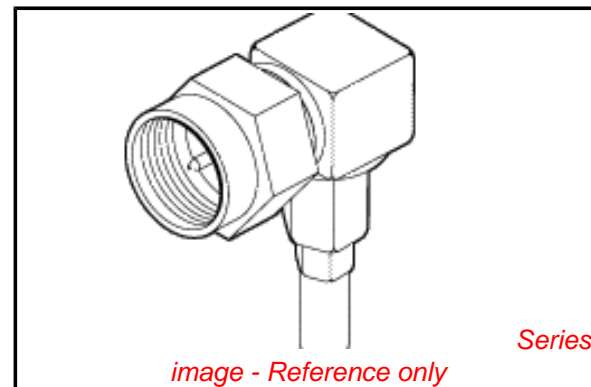
**Electrical**

Impedance	50#
-----------	-----

**Material Info**

**Reference - Drawing Numbers**

Sales Drawing	SD-73251-019
---------------	--------------



*image - Reference only*

**EU RoHS**

**RoHS Compliant RF Product**

**REACH SVHC**

Not Reviewed

**Low-Halogen Status**

**Low-Halogen**

**China RoHS**



**Need more information on product environmental compliance?**

Email [productcompliance@molex.com](mailto:productcompliance@molex.com)  
 For a multiple part number RoHS Certificate of Compliance, [click here](#)

Please visit the [Contact Us](#) section for any non-product compliance questions.

**Search Parts in this Series**

[73251Series](#)