

PLEASE CHECK WWW.MOLEX.COM FOR LATEST PART INFORMATION

Part Number: [73216-1501](#)
Status: **Active**
Overview: TNC Miniature RF Connectors
Description: 50 Ohms, TNC Jack, Bulkhead Right Angle Reverse Polarity No Hardware Included, Bag

Documents:

[Drawing \(PDF\)](#) [RoHS Certificate of Compliance \(PDF\)](#)

General

Product Family	RF/Coax Connectors
Series	73216
Overview	TNC Miniature RF Connectors
Product Name	TNC
Style	PCB
UPC	800756689449
Wire/Cable Type	N/A

Physical

Cable Attachment	Clamp
Gender	Jack
Keying to Mating Part	None
Net Weight	46.660/g
Orientation	Right Angle
PCB Mounting	Through Hole
PCB Thickness - Recommended	3.18mm
Packaging Type	Bag
Panel Mount	Yes
Panel Mount Method	Bulkhead
Reverse Polar	Yes

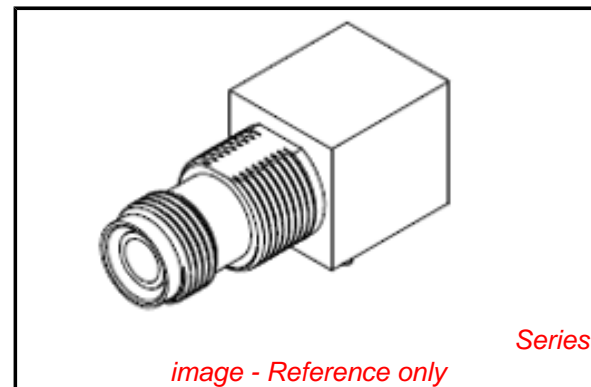
Electrical

Impedance	50#
-----------	-----

Material Info

Reference - Drawing Numbers

Sales Drawing	SD-73216-150
---------------	--------------



EU RoHS

RoHS Compliant RF Product
REACH SVHC Not Reviewed
Low-Halogen Status Not Reviewed

China RoHS



Need more information on product environmental compliance?

Email productcompliance@molex.com
 For a multiple part number RoHS Certificate of Compliance, [click here](#)

Please visit the [Contact Us](#) section for any non-product compliance questions.

Search Parts in this Series
[73216Series](#)