

PLEASE CHECK WWW.MOLEX.COM FOR LATEST PART INFORMATION

Part Number: [73205-5033](#)
Status: **Active**
Overview: TNC Miniature RF Connectors
Description: TNC Right Angle PCB Bulkhead Jack Receptacle

Documents:

[Drawing \(PDF\)](#) [RoHS Certificate of Compliance \(PDF\)](#)

General

| | |
|-----------------|---|
| Product Family | RF/Coax Connectors |
| Series | 73205 |
| Overview | TNC Miniature RF Connectors |
| Product Name | TNC |
| Style | PCB |
| UPC | 800753691582 |
| Wire/Cable Type | N/A |

Physical

| | |
|-----------------------------|--------------|
| Cable Attachment | N/A |
| Gender | Jack |
| Keying to Mating Part | None |
| Net Weight | 22.776/g |
| Orientation | Right Angle |
| PCB Mounting | Through Hole |
| PCB Thickness - Recommended | 3.20mm |
| Packaging Type | Tray |
| Panel Mount | Yes |
| Panel Mount Method | Bulkhead |
| Reverse Polar | No |

Electrical

| | |
|-----------|-----|
| Impedance | 50# |
|-----------|-----|

Solder Process Data

| | |
|--|------------------------|
| Duration at Max. Process Temperature (seconds) | 0 |
| Lead-free Process Capability | Wave Capable (TH only) |
| Max. Cycles at Max. Process Temperature | 0 |
| Process Temperature max. C | 0 |

Material Info

Reference - Drawing Numbers

| | |
|---------------|---------------|
| Sales Drawing | SD-73205-5033 |
|---------------|---------------|

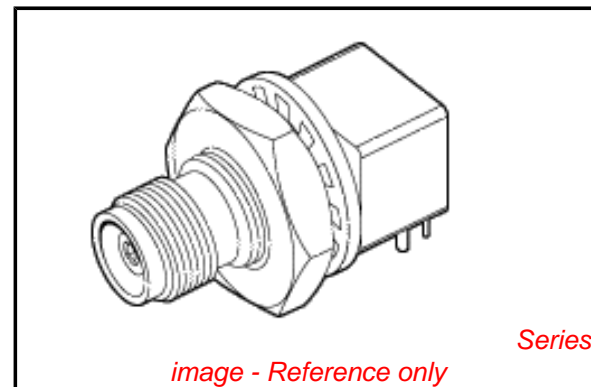


image - Reference only

EU RoHS

RoHS Compliant RF Product

REACH SVHC

Not Reviewed

Low-Halogen Status

Low-Halogen

China RoHS



Pb

Need more information on product environmental compliance?

Email productcompliance@molex.com
 For a multiple part number RoHS Certificate of Compliance, [click here](#)

Please visit the [Contact Us](#) section for any non-product compliance questions.

Search Parts in this Series

[73205Series](#)

PLEASE CHECK WWW.MOLEX.COM FOR LATEST PART INFORMATION