



Connectors > Connector Accessories > Connector Hardware

Hardware Accessory Function: **Coding & Keying**

Connector Hardware Accessory Type: **Keying Plug**

Primary Product Color: **Standard**

Features

Product Type Features

Hardware Accessory Function	Coding & Keying
Connector Hardware Accessory Type	Keying Plug

Body Features

Primary Product Color	Standard
-----------------------	----------

Product Compliance

[For compliance documentation, visit the product page on TE.com>](#)

EU RoHS Directive 2011/65/EU	Compliant
EU ELV Directive 2000/53/EC	Out of Scope
China RoHS 2 Directive MIIT Order No 32, 2016	No Restricted Materials Above Threshold
EU REACH Regulation (EC) No. 1907/2006	Current ECHA Candidate List: JUNE 2023 (235) Candidate List Declared Against: JUNE 2023 (235) Does not contain REACH SVHC
Halogen Content	Low Halogen - Br, Cl, F, I < 900 ppm per homogenous material. Also BFR/CFR/PVC Free
Solder Process Capability	Not reviewed for solder process capability

Product Compliance Disclaimer

This information is provided based on reasonable inquiry of our suppliers and represents our current actual knowledge based on the information they provided. This information is subject to change. The part numbers that TE has identified as EU RoHS compliant have a maximum concentration of 0.1% by weight in homogenous materials for lead, hexavalent chromium, mercury, PBB, PBDE, DBP, BBP, DEHP, DIBP, and 0.01% for cadmium, or qualify for an exemption to these limits as defined in the Annexes of Directive 2011/65/EU (RoHS2). Finished electrical and electronic equipment products will be CE marked as required by Directive 2011/65/EU. Components may not be CE marked. Additionally, the part numbers that TE has identified as EU ELV compliant have a maximum concentration of 0.1% by weight in homogenous materials for lead, hexavalent chromium, and mercury, and 0.01% for cadmium, or qualify for an exemption to these limits as defined in the Annexes of Directive 2000/53/EC (ELV). Regarding the REACH Regulations, TE's information on SVHC in articles for this part number is still based on the European Chemical Agency (ECHA) 'Guidance on requirements for substances in articles' (Version: 2, April 2011), applying the 0.1% weight on weight concentration threshold at the finished

product level. TE is aware of the European Court of Justice ruling of September 10th, 2015 also known as O5A (Once An Article Always An Article) stating that, in case of 'complex object', the threshold for a SVHC must be applied to both the product as a whole and simultaneously to each of the articles forming part of its composition. TE has evaluated this ruling based on the new ECHA "Guidance on requirements for substances in articles" (June 2017, version 4.0) and will be updating its statements accordingly.

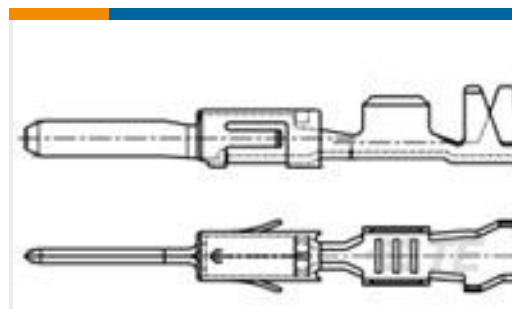
Customers Also Bought



TE Part #4554650001
TMS-SCE-1K-1/8-2.0-9



TE Part #1534112-1
MQS RETAINER FOR 2POS REC.HSG



TE Part #963902-1
TAB A 1.6x0.6 CONTACT CS SWS Sn



TE Part #1757822-6
AMPLIMITE,ASY,RCPT,FB,109,ZN,1,
CONT



TE Part #ZPF000000000205304
951-06 R 8-2 S 50 A5712



TE Part #ZPF00000000015299
DMC-M 20-22 BN



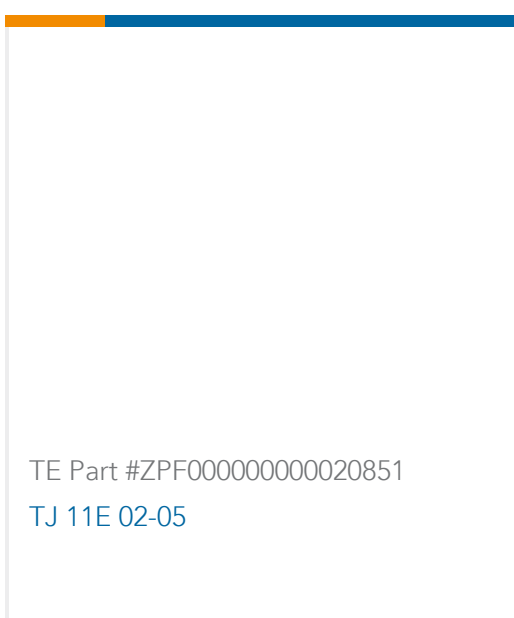
TE Part #ZPF00000000013515
DBAS 76G 27-0 SN 059



TE Part #ZPF00000000013956
DBAS 78G 61-0 SN-A6063



TE Part #ZPF00000000015336
DMC-M 42 W 01



TE Part #ZPF00000000020851
TJ 11E 02-05

Documents

Product Drawings

[732-8020-10](#)

English

Datasheets & Catalog Pages

[DMC-M Series Single Module EN4165](#)

English