

PLEASE CHECK WWW.MOLEX.COM FOR LATEST PART INFORMATION

Part Number: [73174-0410](#)
Status: **Active**
Overview: [DIN 1.0/2.3 Connectors](#)
Description: DIN 1.0/2.3 Right Angle Jack, 50 Ohms

Documents:

[Drawing \(PDF\)](#) [RoHS Certificate of Compliance \(PDF\)](#)
[Product Specification PS-89675-345 \(PDF\)](#)

General

Product Family	RF/Coax Connectors
Series	73174
Overview	DIN 1.0/2.3 Connectors
Product Name	DIN 1.0/2.3
Style	PCB
UPC	822348277292
Wire/Cable Type	N/A

Physical

Cable Attachment	N/A
Gender	Jack
Keying to Mating Part	None
Orientation	Right Angle
PCB Mounting	Through Hole
Packaging Type	Bag
Panel Mount	No
Panel Mount Method	Bulkhead
Reverse Polar	No

Electrical

Impedance	50#
-----------	-----

Material Info

Reference - Drawing Numbers

Product Specification	PS-89675-345
Sales Drawing	SD-73174-041

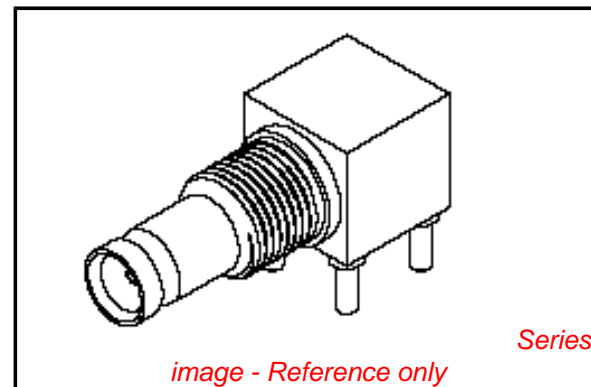


image - Reference only

EU RoHS

RoHS Compliant RF Product

REACH SVHC

Not Reviewed

Low-Halogen Status

Not Reviewed

China RoHS



Need more information on product environmental compliance?

Email productcompliance@molex.com
 For a multiple part number RoHS Certificate of Compliance, [click here](#)

Please visit the [Contact Us](#) section for any non-product compliance questions.

Search Parts in this Series

73174Series