

**PLEASE CHECK WWW.MOLEX.COM FOR LATEST PART INFORMATION**

**Part Number:** [73174-0040](#)  
**Status:** **Active**  
**Overview:** [DIN 1.0/2.3 Connectors](#)  
**Description:** DIN 1.0/2.3 / DIN 41626, 50 Ohms, Right Angle, Jack

**Documents:**

[Drawing \(PDF\)](#) [RoHS Certificate of Compliance \(PDF\)](#)

**General**

Product Family	RF/Coax Connectors
Series	73174
Overview	<a href="#">DIN 1.0/2.3 Connectors</a>
Product Name	DIN 1.0/2.3, DIN 41626
Style	PCB
UPC	822350561877
Wire/Cable Type	N/A

**Physical**

Cable Attachment	N/A
Gender	Jack
Keying to Mating Part	None
Orientation	Right Angle
PCB Mounting	Through Hole
Packaging Type	Bag
Panel Mount	No
Panel Mount Method	N/A
Reverse Polar	No

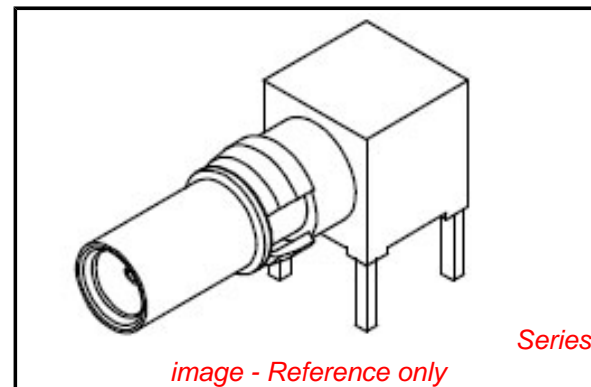
**Electrical**

Impedance	50#
-----------	-----

**Material Info**

**Reference - Drawing Numbers**

Sales Drawing	SD-73174-004
---------------	--------------



*image - Reference only*

*Series*

**EU RoHS**

**RoHS Compliant RF Product**

**REACH SVHC**

**Not Reviewed**

**Low-Halogen Status**

**Not Reviewed**

**China RoHS**



**Need more information on product environmental compliance?**

Email [productcompliance@molex.com](mailto:productcompliance@molex.com)  
 For a multiple part number RoHS Certificate of Compliance, [click here](#)

Please visit the [Contact Us](#) section for any non-product compliance questions.

**Search Parts in this Series**

73174Series

**PLEASE CHECK WWW.MOLEX.COM FOR LATEST PART INFORMATION**