

**PLEASE CHECK WWW.MOLEX.COM FOR LATEST PART INFORMATION**

**Part Number:** [73171-3020](#)  
**Status:** **Active**  
**Overview:** BNC Miniature RF Connectors  
**Description:** 75 Ohms, BNC Right-Angle, PCB Jack Receptacle, Die Cast Zinc Alloy, One Piece Per Bag

**Documents:**

[Drawing \(PDF\)](#) [RoHS Certificate of Compliance \(PDF\)](#)

**General**

Product Family	RF/Coax Connectors
Series	<a href="#">73171</a>
Overview	<u>BNC Miniature RF Connectors</u>
Product Name	BNC
Style	PCB
UPC	800756688145
Wire/Cable Type	N/A

**Physical**

Gender	Jack
Keying to Mating Part	None
Orientation	Right Angle
PCB Mounting	Through Hole
PCB Thickness - Recommended	3.20mm
Packaging Type	Bag
Panel Mount	Yes
Panel Mount Method	Bulkhead
Reverse Polar	No
Shield Type	Single Shield

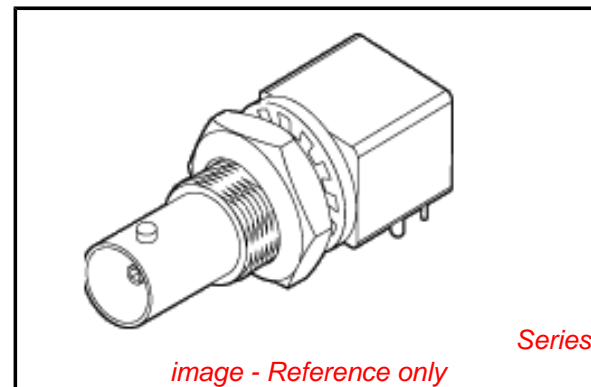
**Electrical**

Impedance	75#
-----------	-----

**Material Info**

**Reference - Drawing Numbers**

Sales Drawing	SD-73171-302
---------------	--------------



*image - Reference only*

**EU RoHS**

**RoHS Compliant RF Product**

**REACH SVHC**

**Not Reviewed**

**Low-Halogen Status**

**Not Reviewed**

**China RoHS**



**Need more information on product environmental compliance?**

Email [productcompliance@molex.com](mailto:productcompliance@molex.com)  
 For a multiple part number RoHS Certificate of Compliance, [click here](#)

Please visit the [Contact Us](#) section for any non-product compliance questions.

**Search Parts in this Series**

73171Series

**PLEASE CHECK WWW.MOLEX.COM FOR LATEST PART INFORMATION**