

PLEASE CHECK WWW.MOLEX.COM FOR LATEST PART INFORMATION

Part Number: [73171-3230](#)
Status: **Active**
Overview: BNC Miniature RF Connectors
Description: 3 Ghz BNC Vertical Jack, 75 Ohms

Documents:

[Drawing \(PDF\)](#) [RoHS Certificate of Compliance \(PDF\)](#)

General

Product Family	RF/Coax Connectors
Series	73171
Comments	Optimized 3 GHz
Overview	<u>BNC Miniature RF Connectors</u>
Product Name	BNC 3 GHz
Style	PCB
UPC	800756786827
Wire/Cable Type	N/A

Physical

Cable Attachment	N/A
Gender	Jack
Keying to Mating Part	Yes
Net Weight	9.620/g
Orientation	Straight
PCB Mounting	Through Hole
Packaging Type	Tray
Panel Mount	No
Panel Mount Method	N/A
Reverse Polar	No

Electrical

Impedance	75#
-----------	-----

Material Info

Reference - Drawing Numbers

Sales Drawing	SD-73171-323
---------------	--------------

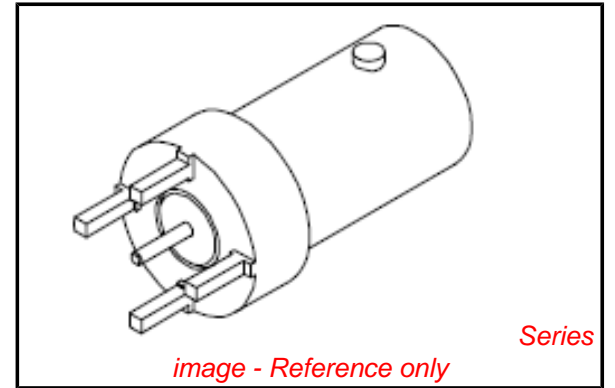


image - Reference only

EU RoHS

RoHS Compliant RF Product

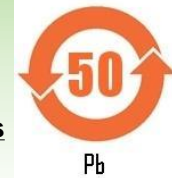
REACH SVHC

Not Reviewed

Low-Halogen Status

Not Reviewed

China RoHS



Need more information on product environmental compliance?

Email productcompliance@molex.com
 For a multiple part number RoHS Certificate of Compliance, [click here](#)

Please visit the [Contact Us](#) section for any non-product compliance questions.

Search Parts in this Series

73171Series