

PLEASE CHECK WWW.MOLEX.COM FOR LATEST PART INFORMATION

Part Number: [0731580040](#)
Status: **Active**
Overview: [Multi-Port RF \(MPRF\) Coaxial Cable-to-Board Solutions](#)
Description: 50 Ohms, MPRF Jack, Non-Magnetic, Straight, PCB

Documents:

[Drawing \(PDF\)](#) [RoHS Certificate of Compliance \(PDF\)](#)

General

Product Family	RF/Coax Connectors
Series	73158
Overview	Multi-Port RF (MPRF) Coaxial Cable-to-Board Solutions
Product Name	MPRF
Style	PCB
Type	Microminiature
UPC	889056736756
Wire/Cable Type	N/A

Physical

Gender	Jack
Keying to Mating Part	None
Orientation	Straight
PCB Mounting	Through Hole
Packaging Type	Tray
Panel Mount	No
Panel Mount Method	N/A

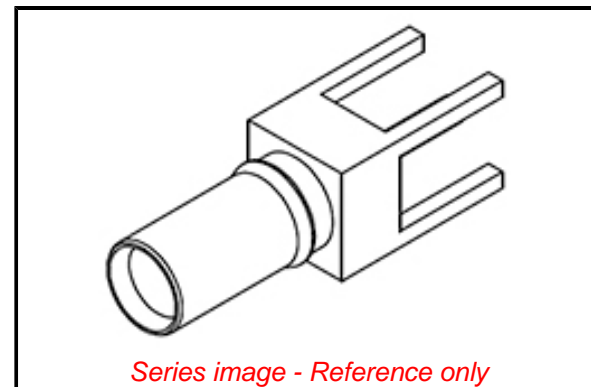
Electrical

Frequency	6 GHz
Impedance	50Ω
Power / Voltage	VOLTAGE: 170 Vrms@Sea Level

Material Info

Reference - Drawing Numbers

Sales Drawing	SD-73158-004
---------------	--------------



EU ELV

Not Reviewed

EU RoHS

Not Reviewed

REACH SVHC

Not Reviewed

Halogen-Free

Status

Not Reviewed

For more information, please visit [Contact US](#)

China ROHS

Not Reviewed

ELV

Not Reviewed

RoHS Phthalates

Not Reviewed

Search Parts in this Series

[73158 Series](#)