

PLEASE CHECK WWW.MOLEX.COM FOR LATEST PART INFORMATION

Part Number: [0731580031](#)
Status: **Active**
Overview: [Multi-Port RF \(MPRF\) Coaxial Cable-to-Board Solutions](#)
Description: 50 Ohms, MPRF Plug, Standard, Right-Angle, with Retention Clip, RG-316

Documents:

[Drawing \(PDF\)](#) [RoHS Certificate of Compliance \(PDF\)](#)

General

Product Family	RF/Coax Connectors
Series	73158
Overview	Multi-Port RF (MPRF) Coaxial Cable-to-Board Solutions
Product Name	MPRF
Style	Cable
Type	Microminiature
UPC	887191702896
Wire/Cable Type	RG-316

Physical

Cable Attachment	Crimp
Gender	Plug
Keying to Mating Part	None
Net Weight	1.165/g
Orientation	Right Angle
PCB Mounting	N/A
Packaging Type	Tray
Panel Mount	No
Panel Mount Method	N/A

Electrical

Frequency	6 GHz
Impedance	50Ω
Power / Voltage	VOLTAGE: 170 Vrms@Sea Level

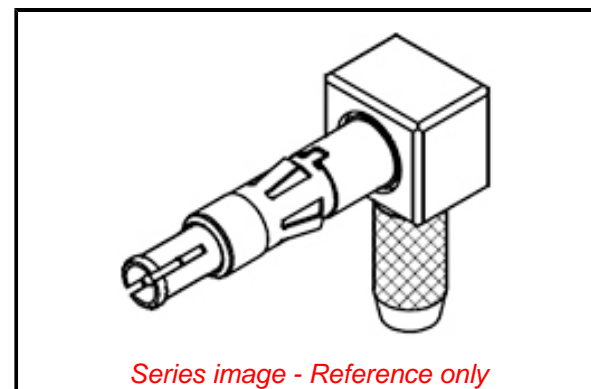
Solder Process Data

Lead-freeProcess Capability	N/A
-----------------------------	-----

Material Info

Reference - Drawing Numbers

Sales Drawing	SD-73158-003
---------------	--------------



Series image - Reference only

EU ELV

Not Relevant

EU RoHS

Compliant with Exemption 6(c)

REACH SVHC

Contained Per - D(2020)4578-DC (25 June 2020)

Lead

Halogen-Free

Status

Low-Halogen

For more information, please visit [Contact US](#)

China ROHS

ELV

RoHS Phthalates

China RoHS

50 Image

Not Relevant

Not Contained

Search Parts in this Series

[73158 Series](#)