

PLEASE CHECK WWW.MOLEX.COM FOR LATEST PART INFORMATION

Part Number: [73137-5013](#)
Status: **Active**
Overview: BNC Miniature RF Connectors
Description: BNC 50 Ohm, Right Angle PCB Bulkhead Jack Receptacle, White PBT Housing, Height 13.20mm, Nut and Lockwasher included, Tin Plated Leads

Documents:

[Drawing \(PDF\)](#) [RoHS Certificate of Compliance \(PDF\)](#)

Agency Certification

CSA LR19980
 UL E107635

General

Product Family RF/Coax Connectors
 Series [73137](#)
 Comments 13.20mm Profile
 Overview BNC Miniature RF Connectors
 Product Name BNC
 Style PCB
 UPC 800753692060
 Wire/Cable Type N/A

Physical

Cable Attachment N/A
 Flammability 94V-0
 Gender Jack
 Keying to Mating Part None
 Net Weight 14.735/g
 Orientation Right Angle
 PCB Mounting Through Hole
 PCB Thickness - Recommended 4.00mm
 Packaging Type Tray
 Panel Mount Yes
 Panel Mount Method Bulkhead
 Reverse Polar No

Electrical

Impedance 50#

Solder Process Data

Duration at Max. Process Temperature (seconds) 10
 Lead-free Process Capability Wave Capable (TH only)
 Max. Cycles at Max. Process Temperature 1
 Process Temperature max. C 245

Material Info

Reference - Drawing Numbers

Sales Drawing SD-73137-5013

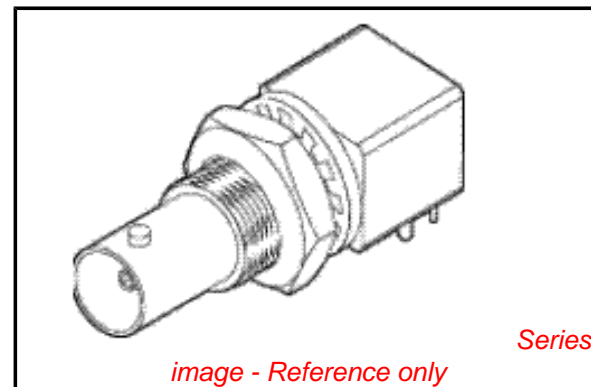


image - Reference only

Series

EU RoHS

RoHS Compliant RF Product

REACH SVHC

Not Reviewed

Low-Halogen Status

Not Low-Halogen

China RoHS



Need more information on product environmental compliance?

Email productcompliance@molex.com
 For a multiple part number RoHS Certificate of Compliance, [click here](#)

Please visit the [Contact Us](#) section for any non-product compliance questions.

Search Parts in this Series

[73137Series](#)