

**PLEASE CHECK WWW.MOLEX.COM FOR LATEST PART INFORMATION**

**Part Number:** [73100-0167](#)  
**Status:** **Active**  
**Overview:** BNC Miniature RF Connectors  
**Description:** BNC 50 Ohm, Right Angle PCB Bulkhead Jack Receptacle with Board Locks, Black PBT Housing, Nut and Lock Washer not included

**Documents:**

[Drawing \(PDF\)](#) [RoHS Certificate of Compliance \(PDF\)](#)

**General**

Product Family	RF/Coax Connectors
Series	<a href="#">73100</a>
Overview	<a href="#">BNC Miniature RF Connectors</a>
Product Name	BNC
Style	PCB
Wire/Cable Type	N/A

**Physical**

Cable Attachment	N/A
Gender	Jack
Keying to Mating Part	None
Orientation	Right Angle
PCB Mounting	Through Hole
PCB Thickness - Recommended	3.20mm
Packaging Type	Tray
Panel Mount	Yes
Panel Mount Method	Bulkhead
Reverse Polar	No

**Electrical**

Impedance	50#
-----------	-----

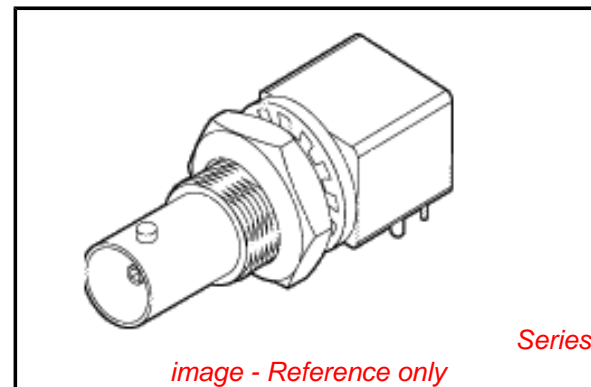
**Solder Process Data**

Lead-free Process Capability	Wave Capable (TH only)
Max. Cycles at Max. Process Temperature	2
Process Temperature max. C	245

**Material Info**

**Reference - Drawing Numbers**

Sales Drawing	SD-73100-0167
---------------	---------------



**EU RoHS**

**RoHS Compliant RF Product**

**REACH SVHC**

**Contains SVHC: No**

**Low-Halogen Status**

**Low-Halogen**

**China RoHS**



**Need more information on product environmental compliance?**

Email [productcompliance@molex.com](mailto:productcompliance@molex.com)  
 For a multiple part number RoHS Certificate of Compliance, [click here](#)

Please visit the [Contact Us](#) section for any non-product compliance questions.

**Search Parts in this Series**

[73100Series](#)