

PLEASE CHECK WWW.MOLEX.COM FOR LATEST PART INFORMATION

Part Number: [0731000131](#)
Status: **Active**
Overview: [bnc](#)
Description: BNC 50 Ohm, Right Angle PCB Bulkhead Jack Receptacle with Board Locks, White PBT Housing, Nut and Lock Washer not included

Documents:

[Drawing \(PDF\)](#) [Product Specification PS-89675-368 \(PDF\)](#)
[Product Specification PS-73598-0050 \(PDF\)](#) [RoHS Certificate of Compliance \(PDF\)](#)

General

Product Family	RF/Coax Connectors
Series	73100
Overview	bnc
Product Name	BNC
Style	PCB
Wire/Cable Type	N/A

Physical

Cable Attachment	N/A
Gender	Jack
Keying to Mating Part	None
Orientation	Right Angle
PCB Mounting	Through Hole
PCB Thickness - Recommended	3.20mm (.126")
Packaging Type	Bag
Panel Mount	Yes
Panel Mount Method	Bulkhead
Reverse Polar	No

Electrical

Impedance	50#
-----------	-----

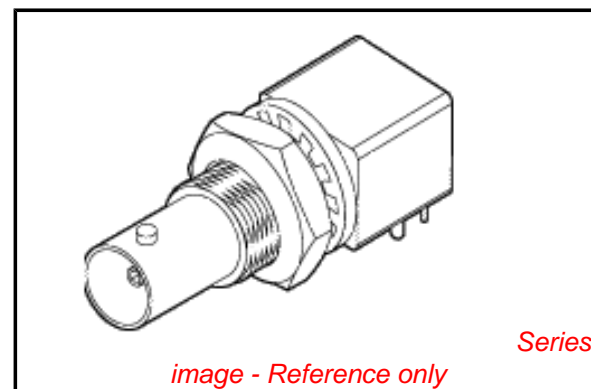
Solder Process Data

Duration at Max. Process Temperature (seconds)	10
Lead-free Process Capability	Wave Capable (TH only)
Max. Cycles at Max. Process Temperature	2
Process Temperature max. C	245

Material Info

Reference - Drawing Numbers

Product Specification	PS-73598-0050, PS-89675-368
Sales Drawing	SD-73100-0131



EU RoHS

RoHS Compliant RF Product

REACH SVHC

Not Reviewed

Low-Halogen Status

Low-Halogen

China RoHS



Need more information on product environmental compliance?

Email productcompliance@molex.com
 For a multiple part number RoHS Certificate of Compliance, [click here](#)

Please visit the [Contact Us](#) section for any non-product compliance questions.

Search Parts in this Series

[73100Series](#)