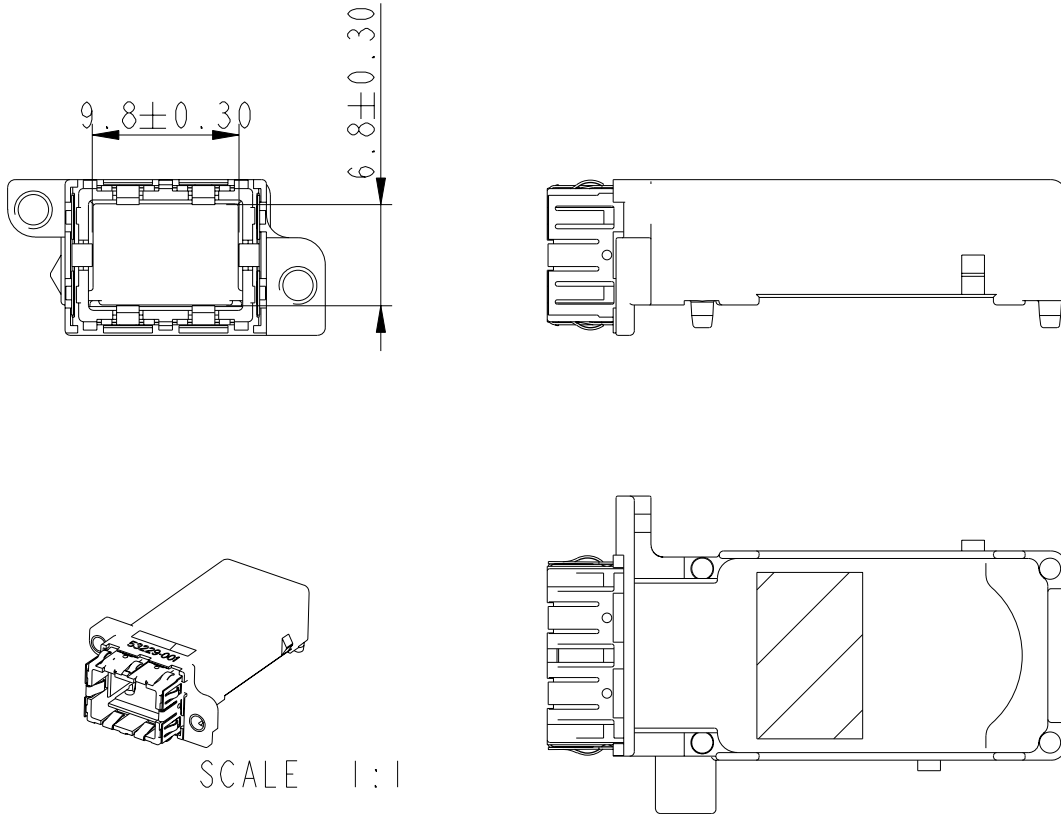


Part Number	Comments
72857-001LF	RoHS COMPATIBLE VERSION



NOTES:

1. COVER MATERIAL: M5860 (SS7030)
2. SPRING MATERIAL: CuSN5F63
3. PRODUCT SPECIFICATION: See GS-02-307
4. PACKAGE SPECIFICATION: GS-14-639.

RoHS INFORMATIONS:

- THIS "LF" PRODUCT MEETS EUROPEAN UNION DIRECTIVES AND OTHER COUNTRY REGULATIONS AS DESCRIBED IN GS-22-008.
 - THIS PRODUCT IS NOT INTENDED TO BE EXPOSED TO A MANUFACTURING SOLDER PROCESS.
- PACKAGING SPEC GS-14-920.

rev	ecn no	dr	date
B	B20112	GNY	2002-06-30
C	LS4129	JTA	2004-12-15
D	LS05-0086	JTA	2005-10-19
E	LS06-0084	LGO	2006-07-01
F	LS06-0143	LGO	2006-09-25
G	N09-0399	SH	2009-12-28
H	N11-0071	A.ZH	2011-03-18

www.fciconnect.com

surface - ✓
ISO 1302

tolerance std
ISO 406 ISO 1101

projection
⊕

MM

TOLERANCES UNLESS OTHERWISE SPECIFIED

Dr	G.Nys	2002/06/30	ANGULAR	LINEAR	0.X	±0.3	size A4	Scale 2:1
Eng	G.Nys	2002/06/30			0.XX	±0.1		
Chr	W.Panis	2002/06/30	0°	±2°	0.XXX	±0.05	ECN	N11-0071
Appr	W.Panis	2002/06/30	Product family			SOFIX	Spec ref	RELEASE
FCI	title COVER WITH FRONTSPRINGS				dwg no 72857			Rev. H
	catalog no 72857-001				CUSTOMER COPY			sheet 1 of 1

REV F - 2006-04-17