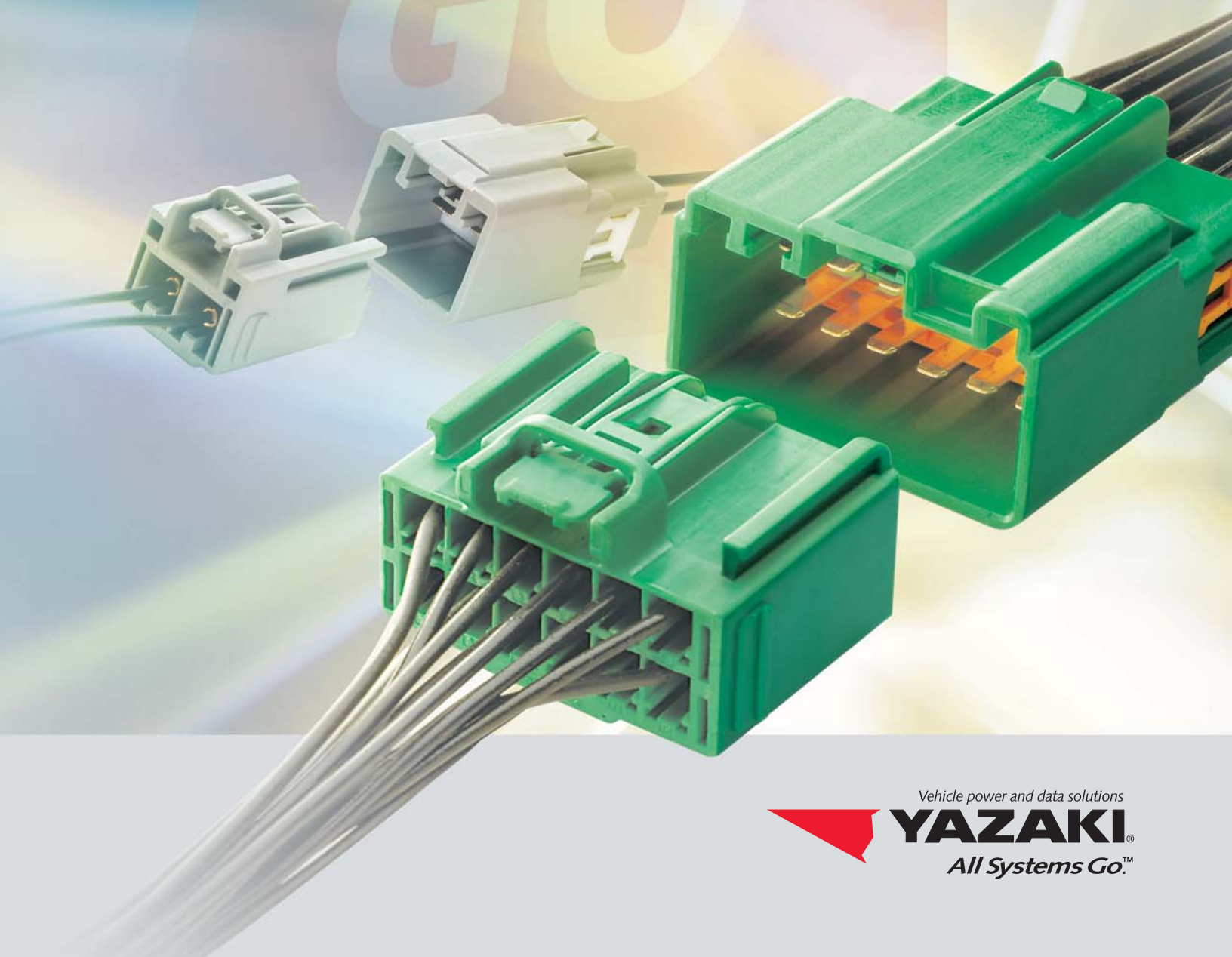


YESC KAIZEN CONNECTORS

SUPPLEMENT
TO YESC CATALOG

GO



Vehicle power and data solutions

YAZAKI
All Systems Go.™

THE YESC KAIZEN CONNECTION

YESC KAIZEN stands for continuous improvement – the heart of a tradition that's helped make Yazaki the world's largest supplier of vehicle power and data networks, and related components. Now we've extended that tradition, combining Yazaki quality standards with highly cost-efficient engineering, to create the new YESC KAIZEN connector series. The latest addition to the Yazaki Engineering Standard Connectors (YESC) line, YESC KAIZEN connectors help engineers meet the aggressive performance, cost, and serviceability requirements of today's more capable, feature-rich vehicles. When it comes to continuous improvement in connectors, look to YESC KAIZEN from Yazaki.

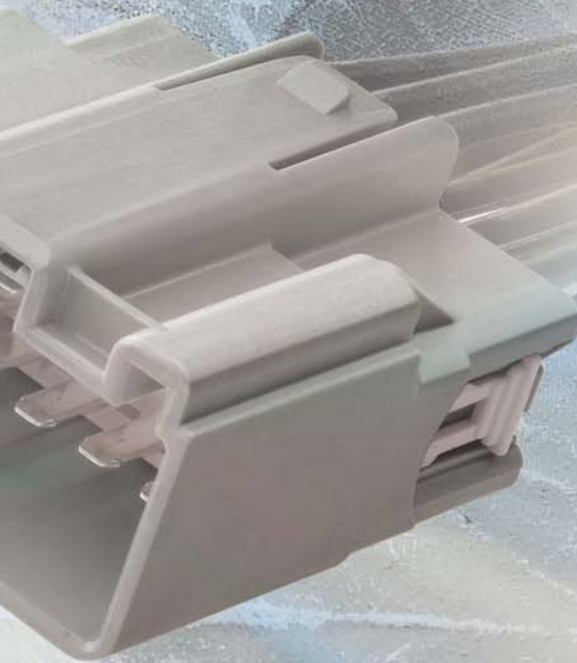


YESC KAIZEN

CONNECTORS

CONTENTS

	PAGE	
0.64 x 0.64 UNSEALED	1 – 8	<i>0.64 SERIES</i>
0.64 x 0.64 SEALED	9 – 12	
1.5 x 0.8 UNSEALED	13 – 20	<i>1.5 SERIES</i>
2.8 x 0.8 UNSEALED	21 – 26	<i>2.8 SERIES</i>
6.3 x 0.8 UNSEALED	27 – 30	<i>6.3 SERIES</i>
9.5 x 1.2 SEALED	31 – 36	<i>9.5 SERIES</i>
HYBRID	37 – 42	<i>HYBRID SERIES</i>
HEADER	43 – 50	<i>HEADER SERIES</i>
TERMINAL REMOVAL	51 – 54	<i>TERMINAL REMOVAL</i>
INDEX	55-56	<i>INDEX</i>
PART NUMBERING METHODOLOGY	57	



YESC KAIZEN

CONNECTORS

SYSTEM FEATURES

- Popular-Size Sealed and Unsealed Connectors Available Immediately**

The YESC KAIZEN connector series includes a full range of sealed and unsealed connector styles in stock, available for immediate delivery worldwide – for virtually any vehicle application.

- USCAR / ISO Standard Compliant**

Terminal blade sizes meet USCAR and ISO standards (0.64 x 0.64, 1.5 x 0.8, 2.8 x 0.8, 6.3 x 0.8).

- Terminal Position Assurance Device**

Yazaki's Terminal Position Assurance Device is available front-loaded and preset to the connector housing.

- Wire Gauges for Every Application**

The YESC KAIZEN connector series is compatible with a wide range of both US (AWG) and metric (mm²) wire sizes.

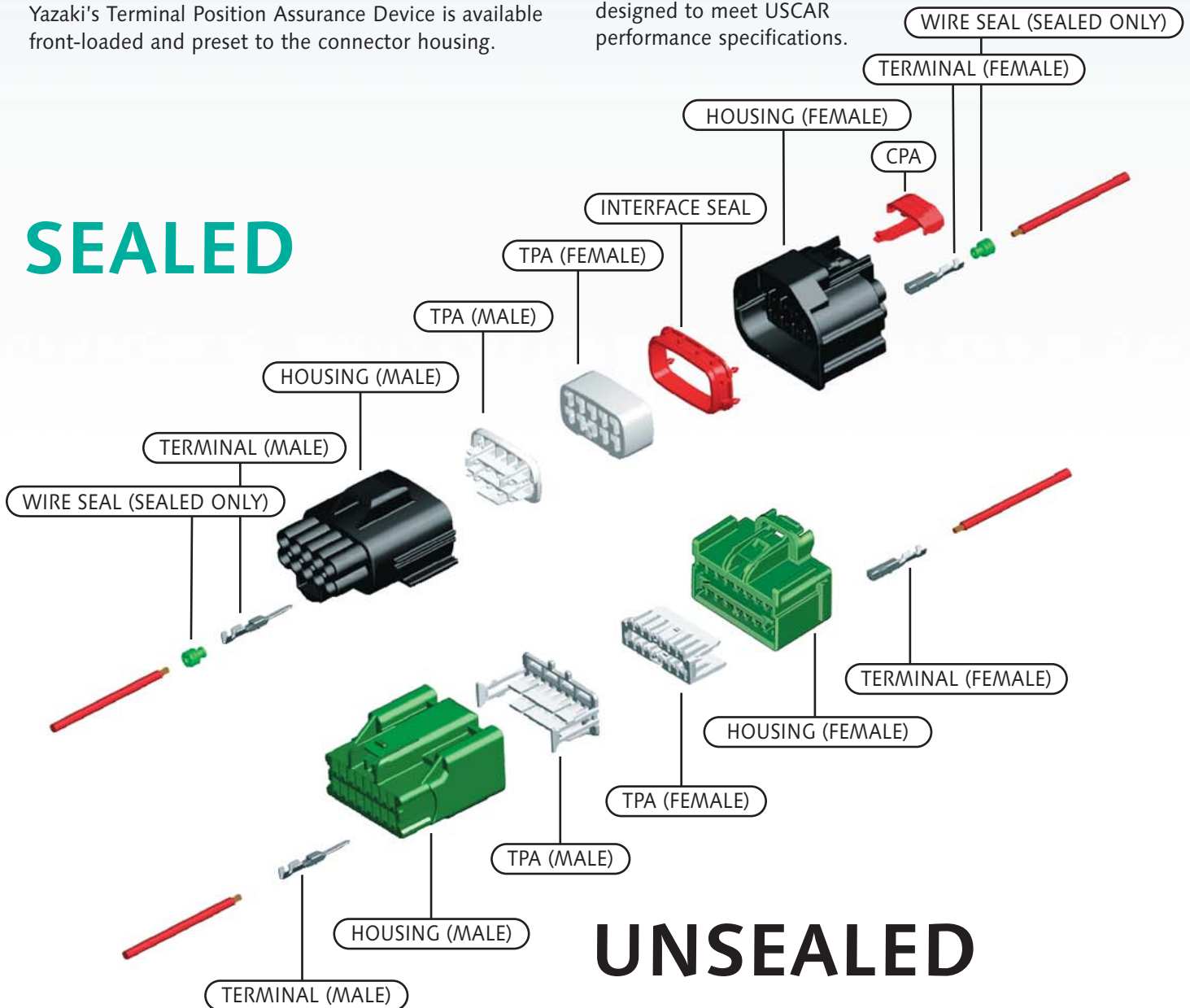
- Interchangeable With YESC**

All YESC KAIZEN connectors (except for the 0.64 series) have the same footprint as, and are fully interchangeable with, equivalent standard YESC.

- Designed to Perform**

All YESC KAIZEN connectors are designed to meet USCAR performance specifications.

SEALED



UNSEALED

YESC KAIZEN

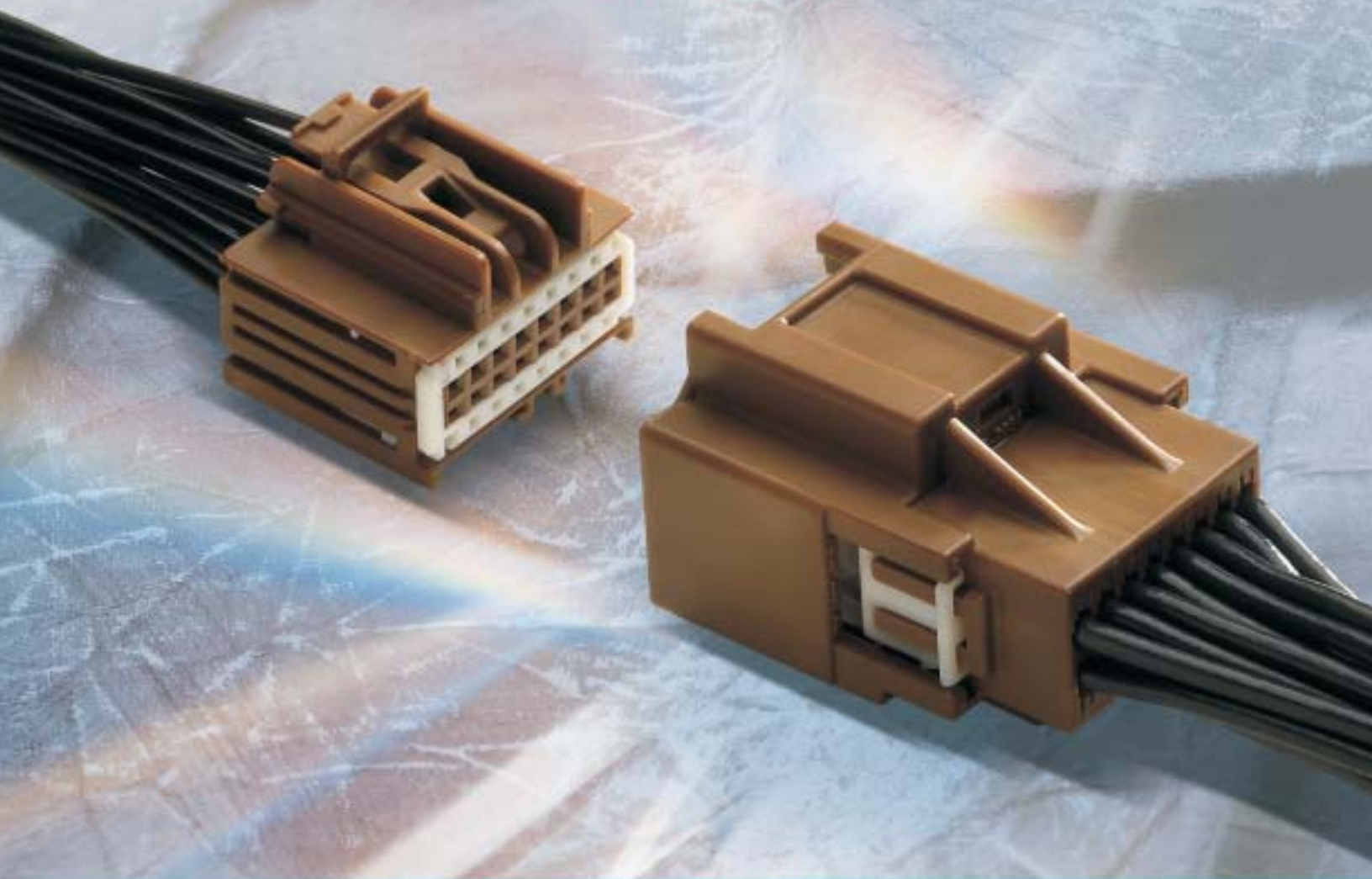
CONNECTORS

0.64

SERIES

UNSEALED

0.64 SERIES
UNSEALED

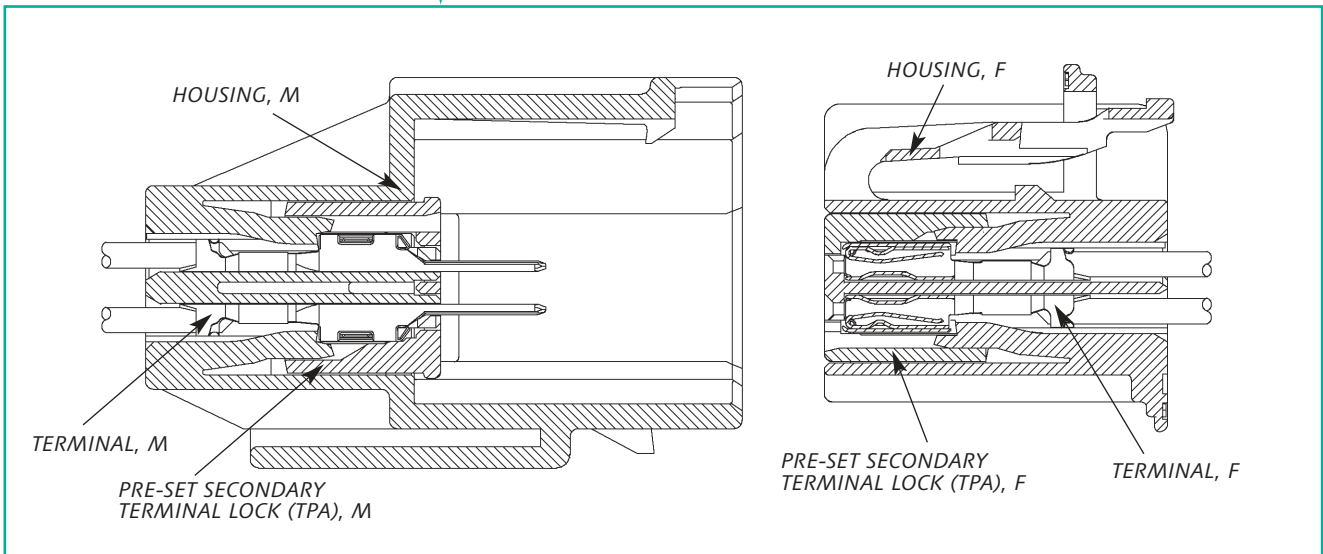


SUPPLEMENT TO YESC CATALOG

0.64 x 0.64

unsealed connection system

Construction

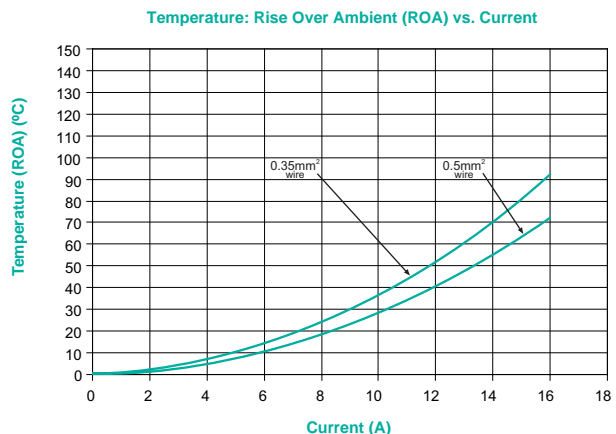


Specifications

Material	Connector	PBT+GF
	Male Terminal	Copper Alloy (Sn/Au Plate)
	Female Terminal	Copper Alloy (Sn/Au Plate)
Operating Temperature Range		-40°C ~ 100°C (120°C max temp.) (USCAR Class II)
Current Capacity		(See Chart)
Voltage Drop		20mΩ max (Term./Term.) (Crimp-to-Crimp)
Isolation Resistance		500VDC, 20MΩ min
Dielectric Resistance		1000VAC (1 minute)
Applicable Wire Size		22AWG ~ 18AWG (0.30mm ² ~ 0.85mm ²) 1.90mm max Wire O.D.
Terminal Pitch		Horizontal: 2.54mm; Vertical: 2.54mm
Terminal-to-Connector Retention Force		75N min
Connector-to-Connector Retention Force		110N min

Current Rating Curve (Reference Only)

This data is based on single circuit/connector evaluation. Data should be used as reference only. Appropriate derating should be considered based upon specific application requirements.



Terminal

UNIT: mm

Male Terminal

Material: Copper Alloy Thickness: $t=0.2$

This terminal system mates to either a 0.64mm or 0.8mm wide terminal blade.

Female Terminal

Material: Copper Alloy Thickness: $t=0.2$

Description	Part Number	Plating	Applicable Wire Size		
			Europe (mm ²)	U.S.A. (AWG)	Japan (mm ²)
Male Terminal	7114-4618-02	Sn	0.35 ~ 0.5	22 ~ 20	0.3 ~ 0.5
	7114-4619-02	Sn	0.75	18	0.85
	7114-4618-08	Au	0.35 ~ 0.5	22 ~ 20	0.3 ~ 0.5
	7114-4619-08	Au	0.75	18	0.85
Female Terminal	7116-4618-02	Sn	0.35 ~ 0.5	22 ~ 20	0.3 ~ 0.5
	7116-4619-02	Sn	0.75	18	0.85
	7116-4618-08	Au	0.35 ~ 0.5	22 ~ 20	0.3 ~ 0.5
	7116-4619-08	Au	0.75	18	0.85

Retainer Clip/Bracket Dimensions

UNIT: mm

Part Number	Panel Hole Requirements
7047-9580 (Ref)	∅6.5mm

0.64 x 0.64

unsealed connection system

Part Number Summary Chart

Part Name	Male	Female
Terminal	7114-4618-02	7116-4618-02
	7114-4619-02	7116-4619-02
	7114-4618-08	7116-4618-08
	7114-4619-08	7116-4619-08
Applicable Clip	7047-9580 (Ref)	—

Pole	Polarity	Color/Description	Male Part Number	Female Part Number	Delete Caps
4	A	Black	—	7283-9016-30	—
8	A	Black	7282-9022-30	7283-9028-30	—
8	B	Light Grey	—	7283-9029-40	—
10	A	Black	—	7283-9040-30	—
10	D	Green	—	7283-9043-60	—
10	F	Natural	—	7283-9045	—
14	B	Light Grey	—	7283-9065-40	—
14	E	Blue	—	7283-9068-90	—
16	A	Black	—	7283-9076-30	—
16	C	Brown	7282-9072-80	7283-9078-80	—
16	D	Green	—	7283-9079-60	—
16	E	Blue	—	7283-9080-90	—
16	F	Natural	—	7283-9081	—
18	A	Black	—	7283-4544-30	—
18	D	Green	—	7283-4548-60	—

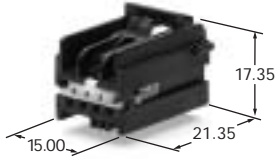
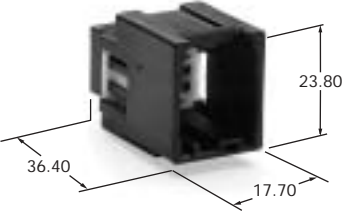
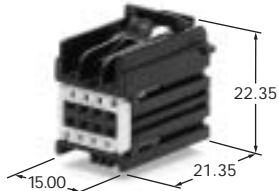
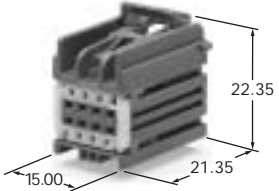
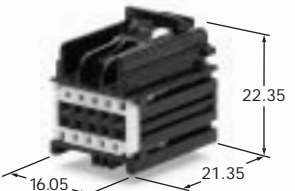
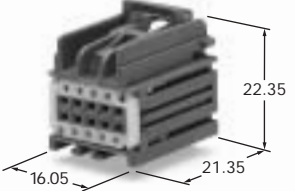
Applicable Terminal Removal Tool/Dimensions

Refer to Page 52 for YESC KAIZEN Connector Terminal Removal Tool.

Order Number: 49YA000263.

Housing Material: PBT+GF

UNIT: mm

Poles	Male Housing	Female Housing
4	N/A	 <p>7283-9016-30*</p>
8	 <p>7282-9022-30</p>	 <p>7283-9028-30*</p>
8	N/A	 <p>7283-9029-40*</p>
10	N/A	 <p>7283-9040-30*</p>
10	N/A	 <p>7283-9043-60*</p>




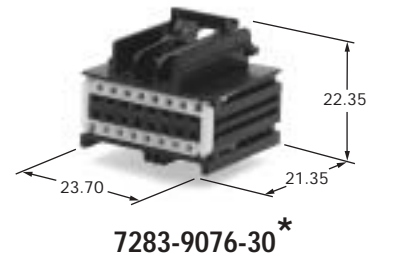
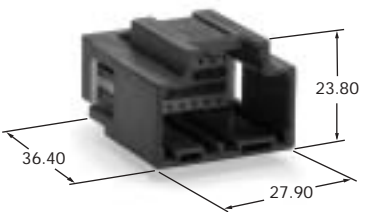

* Part meets USCAR interface standard at time of printing.

0.64 x 0.64

unsealed connection system

Housing Material: PBT+GF

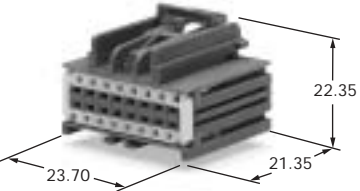
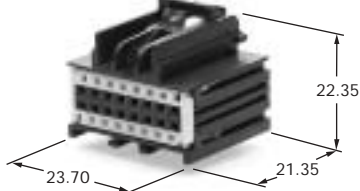
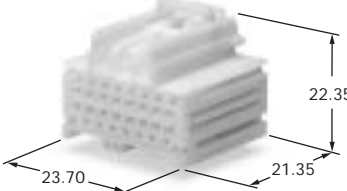
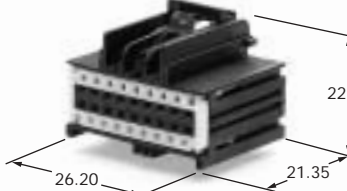
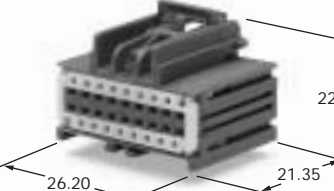
UNIT: mm

Poles	Male Housing	Female Housing
10	N/A	 <p>7283-9045*</p>
14	N/A	 <p>7283-9065-40*</p>
14	N/A	 <p>7283-9068-90*</p>
16	N/A	 <p>7283-9076-30*</p>
16	 <p>7282-9072-80</p>	 <p>7283-9078-80*</p>

* Part meets USCAR interface standard at time of printing.

Housing Material: PBT+GF

UNIT: mm

Poles	Male Housing	Female Housing
16	N/A	 <p>7283-9079-60*</p>
16	N/A	 <p>7283-9080-90*</p>
16	N/A	 <p>7283-9081*</p>
18	N/A	 <p>7283-4544-30*</p>
18	N/A	 <p>7283-4548-60*</p>

* Part meets USCAR interface standard at time of printing.

NOTES

YESC KAIZEN

CONNECTORS

0.64

SERIES

SEALED

0.64 SERIES
SEALED

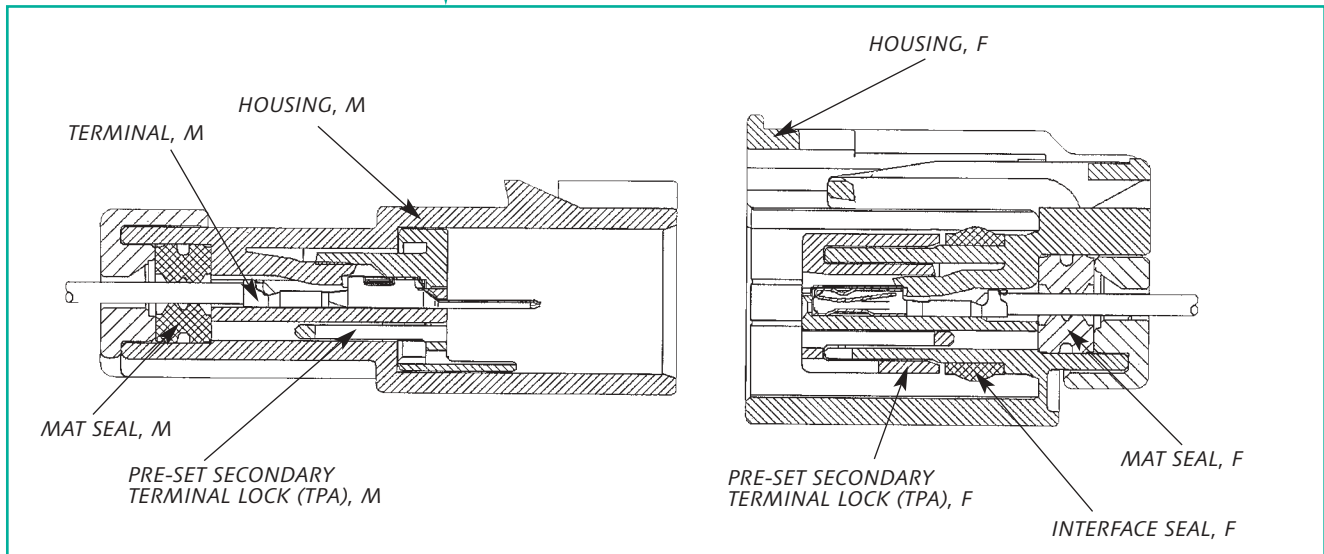


SUPPLEMENT TO YESC CATALOG

0.64 x 0.64

sealed connection system

Construction

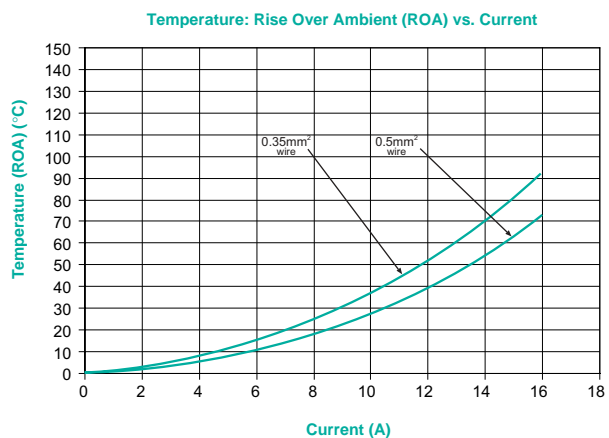


Specifications

Material	Connector	PBT+GF
	Male Terminal	Copper Alloy (Sn/Au Plate)
	Female Terminal	Copper Alloy (Sn/Au Plate)
Operating Temperature Range		-40°C ~ 125°C (145°C max temp.) (USCAR Class III)
Current Capacity		(See Chart)
Voltage Drop		20mΩ max (Term./Term.) (Crimp-to-Crimp)
Isolation Resistance		500VDC, 20MΩ min
Dielectric Resistance		1000VAC (1 minute)
Applicable Wire Size		22AWG ~ 18AWG (0.30mm ² ~ 0.85mm ²) 1.90mm max Wire O.D.
Terminal Pitch		Horizontal: 2.54mm; Vertical: 2.54mm
Sealing Performance (Air-Leak Pressure)		48KPa min (Pre-Heat Soak); 28KPa (Post-Heat Soak)
Terminal-to-Connector Retention Force		75N min
Connector-to-Connector Retention Force		110N min

Current Rating Curve (Reference Only)

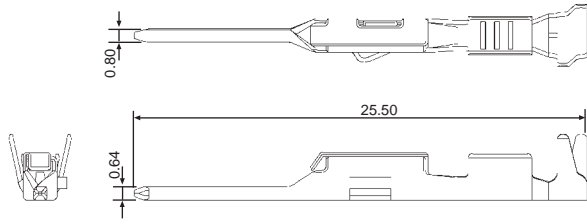
This data is based on single circuit/connector evaluation. Data should be used as reference only. Appropriate derating should be considered based upon specific application requirements.



Terminal

UNIT: mm

Male Terminal

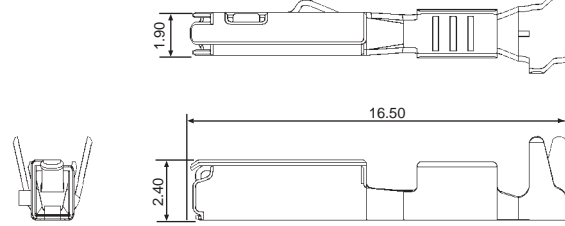


Material: Copper Alloy

Thickness: $t=0.2$

This terminal system mates to either a 0.64mm or 0.8mm wide terminal blade.

Female Terminal



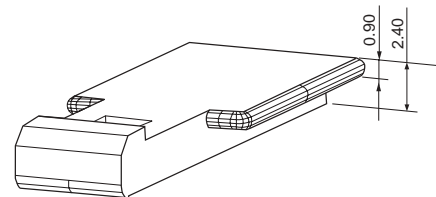
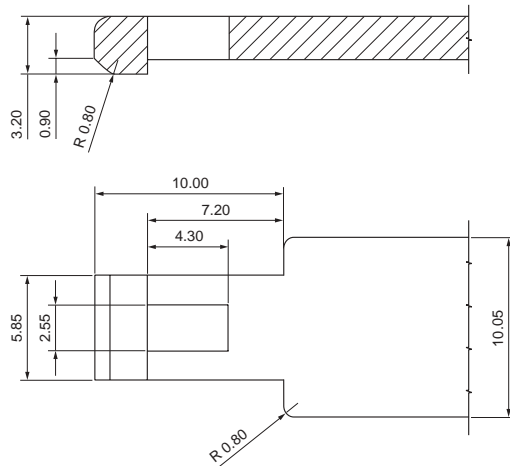
Material: Copper Alloy

Thickness: $t=0.2$

Description	Part Number	Plating	Applicable Wire Size		
			Europe (mm ²)	U.S.A. (AWG)	Japan (mm ²)
Male Terminal	7114-4618-02	Sn	0.35 ~ 0.5	22 ~ 20	0.3 ~ 0.5
	7114-4619-02	Sn	0.75	18	0.85
	7114-4618-08	Au	0.35 ~ 0.5	22 ~ 20	0.3 ~ 0.5
	7114-4619-08	Au	0.75	18	0.85
Female Terminal	7116-4618-02	Sn	0.35 ~ 0.5	22 ~ 20	0.3 ~ 0.5
	7116-4619-02	Sn	0.75	18	0.85
	7116-4618-08	Au	0.35 ~ 0.5	22 ~ 20	0.3 ~ 0.5
	7116-4619-08	Au	0.75	18	0.85

Retainer Clip/Bracket Dimensions

UNIT: mm



Part Number	Panel Hole Requirements
7047-9580 (Ref)	φ6.5mm

0.64 x 0.64

sealed connection system

Part Number Summary Chart

Part Name	Male	Female
<i>Terminal</i>	7114-4618-02	7116-4618-02
	7114-4619-02	7116-4619-02
	7114-4618-08	7116-4618-08
	7114-4619-08	7116-4619-08
<i>Applicable Clip</i>	7047-9580 (Ref)	—

Call 1-888-942-9152 for additional sealed applications.

Applicable Terminal Removal Tool/Dimensions

Refer to Page 52 for YESC KAIZEN Connector Terminal Removal Tool.

Order Number: 49YA000263.

YESC KAIZEN

CONNECTORS

1.5

SERIES

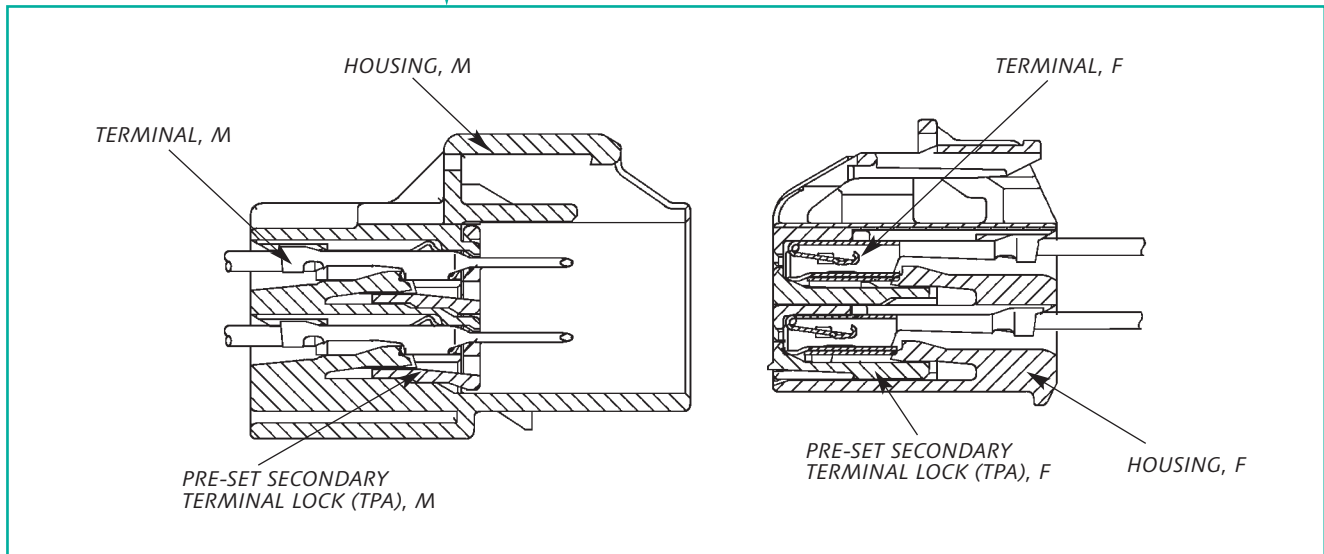
UNSEALED

1.5 SERIES
UNSEALED



SUPPLEMENT TO YESC CATALOG

Construction



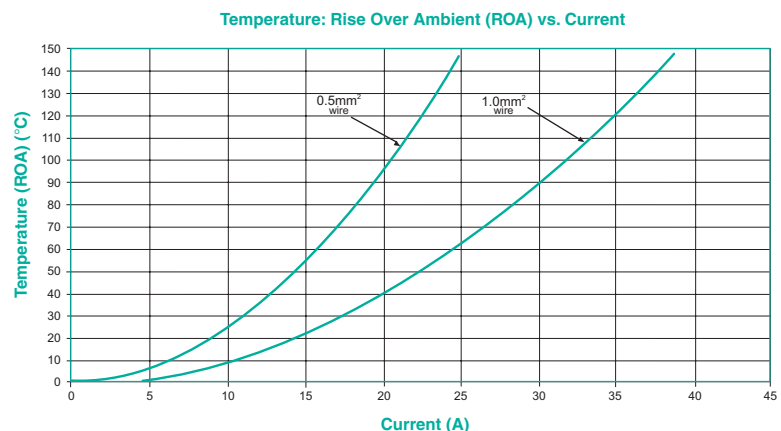
Specifications

Material	Connector	PBT+GF
	Male Terminal	Copper Alloy (Sn/Au Plate)
	Female Terminal	Copper Alloy (Sn/Au Plate)
Operating Temperature Range		-40°C ~125°C (145°C max temp.) (USCAR Class III)
Current Capacity		(See Chart)
Voltage Drop		10mΩ max (Term./Term.) (Crimp-to-Crimp)
Isolation Resistance		500VDC, 20MΩ min
Dielectric Resistance		1000VAC (1 minute)
Applicable Wire Size		22AWG ~ 16AWG (0.35mm ² ~ 1.0mm ²)
Terminal Pitch		Horizontal: 3.50mm; Vertical: 6.50mm
Terminal-to-Connector Retention Force		90N min
Connector-to-Connector Retention Force		110N min

Current Rating Curve (Reference Only)

This data is based on single circuit/connector evaluation. Data should be used as reference only. Appropriate derating should be considered based upon specific application requirements.

0.35mm² rating curve not shown.
Current capability of terminal exceeds capacity of wire.



Terminal

UNIT: mm

Male Terminal

Material: Copper Alloy Thickness: $t=0.3$

Female Terminal

Material: Copper Alloy Thickness: $t=0.25$

Description	YESC Part Number	YESC KAIZEN Part Number	Plating	Applicable Wire Size		
				Europe (mm ²)	U.S.A. (AWG)	Japan (mm ²)
Male Terminal	7114-4100-02	---	Sn	0.35 ~ 0.5	22 ~ 20	0.3 ~ 0.5
	7114-4101-02	---	Sn	0.75 ~ 1.0	18 ~ 16	0.85 ~ 1.25
	7114-4100-08	---	Au	0.35 ~ 0.5	22 ~ 20	0.3 ~ 0.5
	7114-4101-08	---	Au	0.75 ~ 1.0	18 ~ 16	0.85 ~ 1.25
Female Terminal	7116-4100-02	7116-4780-02	Sn	0.35 ~ 0.5	22 ~ 20	0.3 ~ 0.5
	7116-4101-02	7116-4781-02	Sn	0.75 ~ 1.0	18 ~ 16	0.85 ~ 1.25
	7116-4100-08	---	Au	0.35 ~ 0.5	22 ~ 20	0.3 ~ 0.5
	7116-4101-08	---	Au	0.75 ~ 1.0	18 ~ 16	0.85 ~ 1.25

YESC KAIZEN is preferred (equal performance/lower insertion force)

Retainer Clip/Bracket Dimensions

UNIT: mm

Part Number	Panel Hole Requirements
7047-9580 (Ref)	φ6.5mm

Part Number Summary Chart

Part Name	YESC Male	YESC KAIZEN Male	YESC Female	YESC KAIZEN Female
Terminal	7114-4100-02	—	7116-4100-02	7116-4780-02
	7114-4101-02	—	7116-4101-02	7116-4781-02
	7114-4100-08	—	7116-4100-08	—
	7114-4101-08	—	7116-4101-08	—
Applicable Clip	—	7047-9580 (Ref)	—	—

Pole	Polarity	Color/Description	YESC Male Part Number	YESC KAIZEN Male Part Number	YESC Female Part Number	YESC KAIZEN Female Part Number	Delete Caps
2	A	Light Grey	7282-5530-40	7282-6443-40	7283-5530-40	7283-6443-40	7282-5555-40
2	A	Orange	7282-5530-50	7282-6443-50	7283-5530-50	7283-6443-50	—
2	B	Green	7282-5680-60	7282-6444-60	7283-5680-60	7283-6444-60	—
2	B	Yellow	7282-5680-70	7282-6444-70	7283-5680-70	7283-6444-70	—
3	A	Light Grey	7282-5539-40	7282-3440-40	7283-5539-40	7283-3440-40	—
4	A	Light Grey	7282-5531-40	7282-6449-40	7283-5531-40	7283-6449-40	—
4	A	Orange	7282-5531-50	—	7283-5531-50	7283-6449-50	—
4	A	Yellow	7282-5531-70	—	7283-5531-70	7283-6449-70	—
4	B	Green	7282-5688-60	7282-3443-60	7283-6474-60	7283-3443-60	—
6	A	Light Grey	7282-5532-40	7282-6454-40	7283-5532-40	7283-6454-40	7282-5944-40
6	B	Green	—	—	—	7283-4016-60	—
8	A	Light Grey	7282-5538-40	7282-3441-40	7283-5538-40	7283-3441-40	—
10	A	Light Grey	7282-5533-40	7282-6455-40	7283-5533-40	7283-6455-40	7282-8499-40
12	A	Light Grey	7282-5540-40	7282-3442-40	7283-5540-40	7283-3442-40	—
16	A	Green	7282-5534-60	7282-6453-60	7283-5534-60	7283-6453-60	7282-5690-60
16	B	Blue	7282-5535-90	7282-6456-90	7283-5535-90	7283-6456-90	—
16	C	Light Grey	7282-5536-40	—	7283-5536-40	7283-3585-40	—

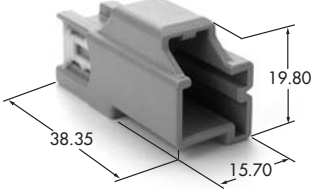
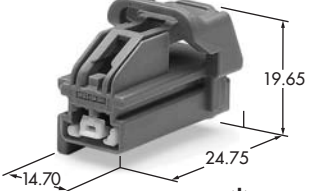

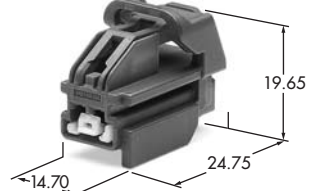
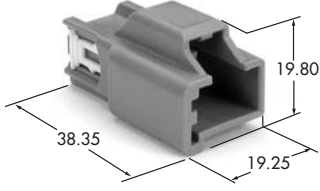



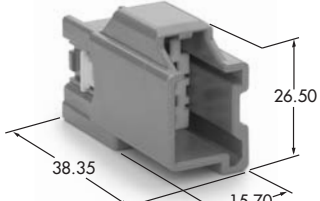
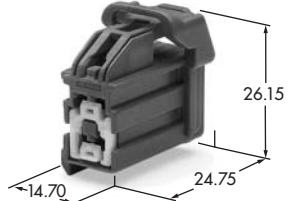
Applicable Terminal Removal Tool/Dimensions

Refer to Page 52 for YESC KAIZEN Connector Terminal Removal Tool.

Order Number: X39899-J374.

Housing Material: PBT+GF

UNIT: mm

Poles	Male Housing	Female Housing
2	 <p>7282-6443-40</p>	 <p>7283-6443-40*</p>
2	 <p>7282-6444-60</p>	 <p>7283-6444-60*</p>
3	 <p>7282-3440-40</p>	 <p>7283-3440-40*</p>
4	 <p>7282-6449-40</p>	 <p>7283-6449-40*</p>
4	 <p>7282-3443-60</p>	 <p>7283-3443-60*</p>

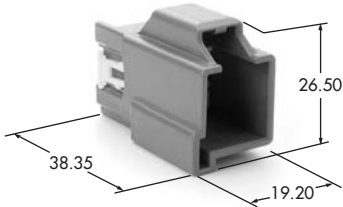

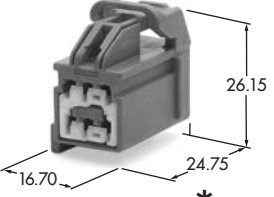
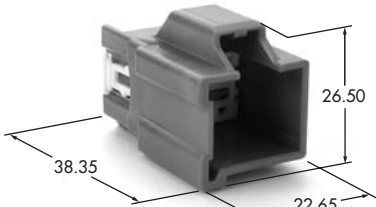
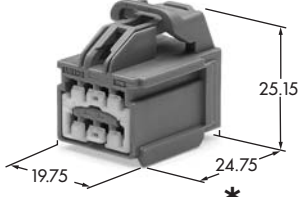
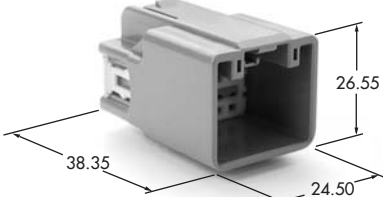

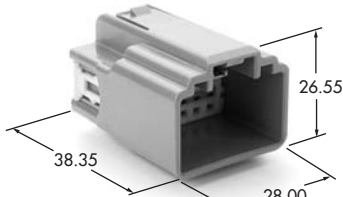
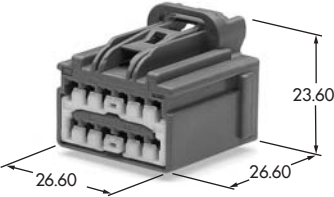
* Part meets USCAR interface standard at time of printing.

1.5 x 0.8

unsealed connection system

Housing Material: PBT+GF

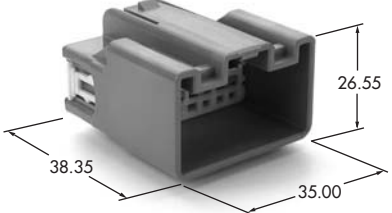
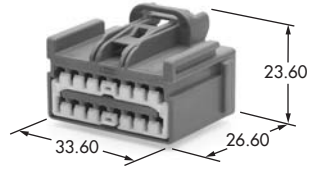
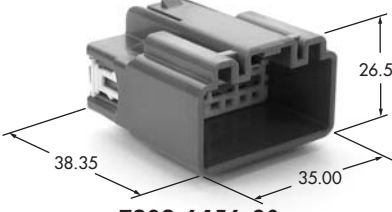
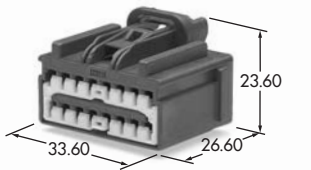
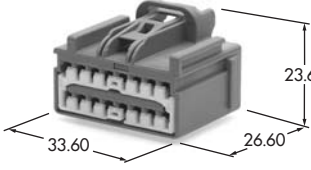
UNIT: mm

Poles	Male Housing	Female Housing
6	 <p>7282-6454-40</p>	 <p>7283-6454-40*</p>
6	N/A	 <p>7283-4016-60*</p>
8	 <p>7282-3441-40</p>	 <p>7283-3441-40*</p>
10	 <p>7282-6455-40</p>	 <p>7283-6455-40*</p>
12	 <p>7282-3442-40</p>	 <p>7283-3442-40*</p>

* Part meets USCAR interface standard at time of printing.

Housing Material: PBT+GF

UNIT: mm

Poles	Male Housing	Female Housing
16	 <p>7282-6453-60</p>	 <p>7283-6453-60*</p>
16	 <p>7282-6456-90</p>	 <p>7283-6456-90*</p>
16	N/A	 <p>7283-3585-40*</p>

* Part meets USCAR interface standard at time of printing.

NOTES

YESC KAIZEN

CONNECTORS

2.8

SERIES

UNSEALED

2.8 SERIES
UNSEALED

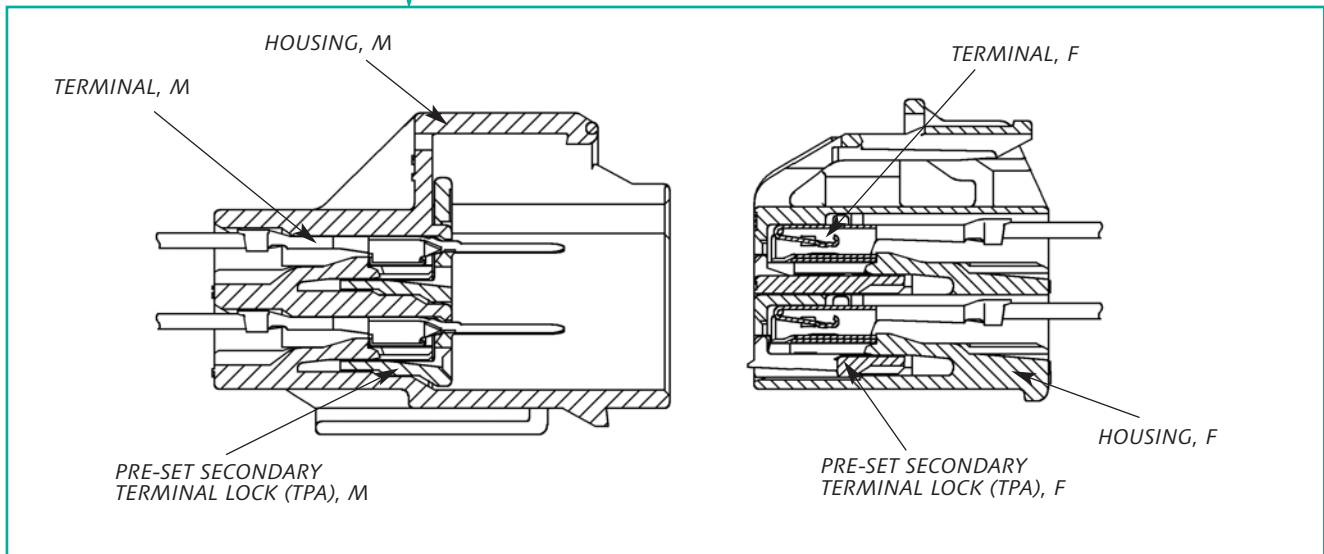


SUPPLEMENT TO YESC CATALOG

2.8 x 0.8

unsealed connection system

Construction



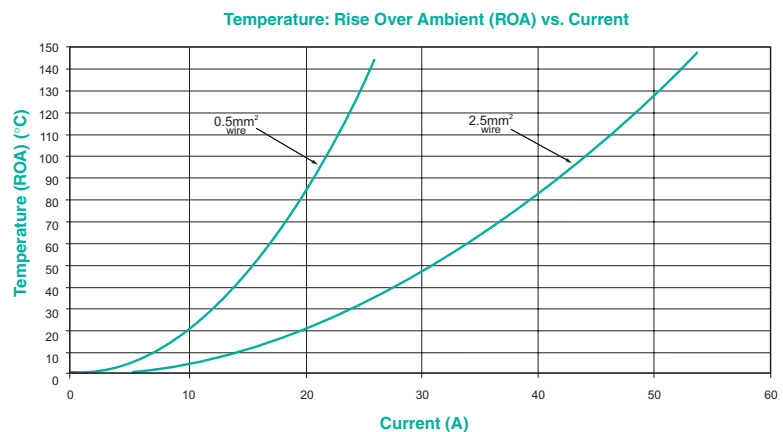
Specifications

Material	Connector	PBT + GF
	Male Terminal	Copper Alloy (Sn Plate)
	Female Terminal	Copper Alloy (Sn Plate)
Operating Temperature Range		-40°C ~ 125°C (145°C max temp.) (USCAR Class III)
Current Capacity		(See Chart)
Voltage Drop		10mΩ max (Term./Term.) (Crimp-to-Crimp)
Isolation Resistance		500VDC, 20MΩ min
Dielectric Resistance		1000VAC (1 minute)
Applicable Wire Size		22AWG ~ 14AWG (0.35mm ² ~ 2.5mm ²)
Terminal Pitch		Horizontal: 5.00mm; Vertical: 6.80mm
Terminal-to-Connector Retention Force		90N min
Connector-to-Connector Retention Force		110N min

Current Rating Curve (Reference Only)

This data is based on single circuit/connector evaluation. Data should be used as reference only. Appropriate derating should be considered based upon specific application requirements.

0.35mm² rating curve not shown.
Current capability of terminal exceeds capacity of wire.



Terminal

UNIT: mm

Male Terminal

Material: Copper Alloy Thickness: $t=0.3$

Female Terminal

Material: Copper Alloy Thickness: $t=0.3$

Description	YESC Part Number	YESC KAIZEN Part Number	Plating	Applicable Wire Size		
				Europe (mm ²)	U.S.A. (AWG)	Japan (mm ²)
Male Terminal	7114-4110-02	—	Sn	0.35 ~ 0.5	22 ~ 20	0.3 ~ 0.5
	7114-4111-02	—	Sn	0.75 ~ 1.0	18 ~ 16	0.85 ~ 1.25
	7114-4112-02	—	Sn	1.5 ~ 2.5	14	2.0
Female Terminal	7116-4110-02	7116-4270-02	Sn	0.35 ~ 0.5	22 ~ 20	0.3 ~ 0.5
	7116-4111-02	7116-4271-02	Sn	0.75 ~ 1.0	18 ~ 16	0.85 ~ 1.25
	7116-4112-02	7116-4272-02	Sn	1.5 ~ 2.5	14	2.0

YESC KAIZEN is preferred (equal performance/lower insertion force)

Retainer Clip/Bracket Dimensions

UNIT: mm

Part Number	Panel Hole Requirements
7047-9580 (Ref)	$\phi 6.5\text{mm}$

Part Number Summary Chart

Part Name	YESC Male	YESC KAIZEN Male	YESC Female	YESC KAIZEN Female
Terminal	7114-4110-02	—	7116-4110-02	7116-4270-02
	7114-4111-02	—	7116-4111-02	7116-4271-02
	7114-4112-02	—	7116-4112-02	7116-4272-02
Applicable Clip	—	7047-9580 (Ref)	—	—

Pole	Polarity	Color/Description	YESC Male Part Number	YESC KAIZEN Male Part Number	YESC Female Part Number	YESC KAIZEN Female Part Number	Delete Caps
2	A	Light Grey	7282-5565-40	7282-6445-40	7283-5565-40	7283-6445-40	—
4	A	Light Grey	7282-5561-40	7282-6446-40	7283-5561-40	7283-6446-40	—
6	A	Light Grey	7282-5569-40	7282-6466-40	7283-5569-40	7283-6466-40	—
6	B	Green/ Direct only	—	—	—	7283-3242-60	—
8	A	Light Grey	7282-5560-40	7282-3243-40	7283-5560-40	7283-3243-40	—
8	B	Green/ Direct only	—	—	7283-5917-60	7283-3244-60	—
10	A	Light Grey	7282-5564-40	7282-6457-40	7283-5564-40	7283-6457-40	7282-8473-40
12	A	Light Grey	7282-5567-40	7282-6467-40	7283-5567-40	7283-6467-40	—
12	B	Green	7282-5578-60	7282-6468-60	7283-5578-60	7283-6468-60	—

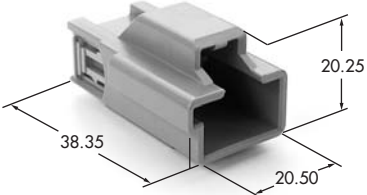

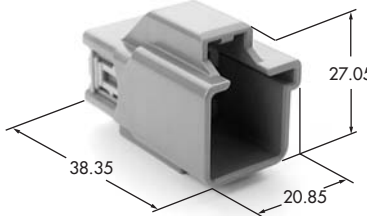
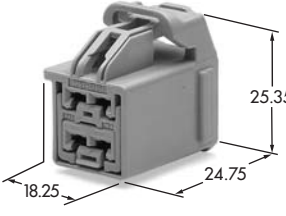

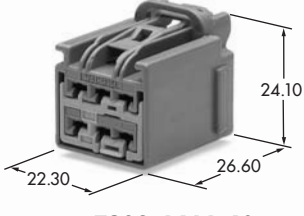

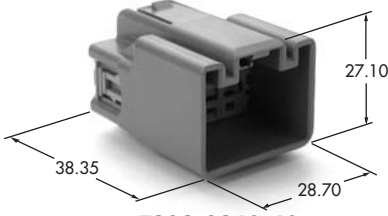
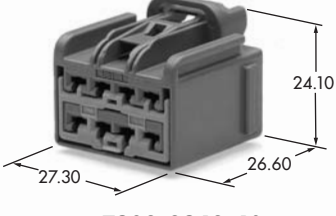
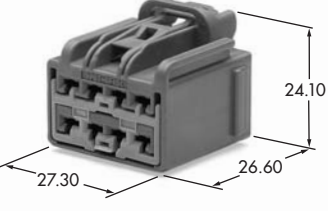
Applicable Terminal Removal Tool/Dimensions

Refer to Page 52 for YESC KAIZEN Connector Terminal Removal Tool.

Order Number: X39899-J374.

Housing Material: PBT+GF

UNIT: mm

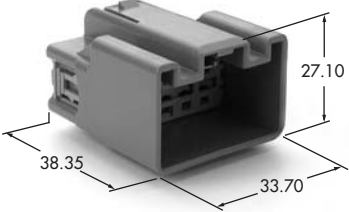
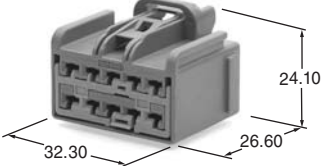
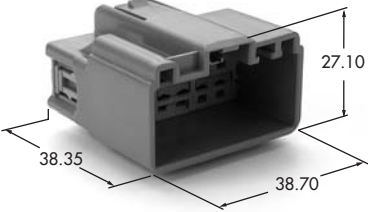
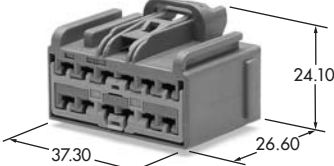
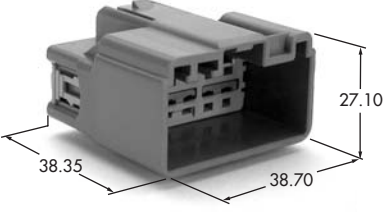
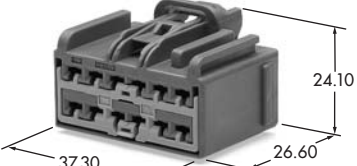
Poles	Male Housing	Female Housing
2	 <p>7282-6445-40</p>	 <p>7283-6445-40</p>
4	 <p>7282-6446-40</p>	 <p>7283-6446-40</p>
6	 <p>7282-6466-40</p>	 <p>7283-6466-40</p>
6	<p>N/A</p>	 <p>7283-3242-60</p>
8	 <p>7282-3243-40</p>	 <p>7283-3243-40</p>
8	<p>N/A</p>	 <p>7283-3244-60</p>

2.8 x 0.8

unsealed connection system

Housing Material: PBT+GF

UNIT: mm

Poles	Male Housing	Female Housing
10	 <p>7282-6457-40</p>	 <p>7283-6457-40</p>
12	 <p>7282-6467-40</p>	 <p>7283-6467-40</p>
12	 <p>7282-6468-60</p>	 <p>7283-6468-60</p>

YESC KAIZEN

CONNECTORS

6.3

SERIES

UNSEALED



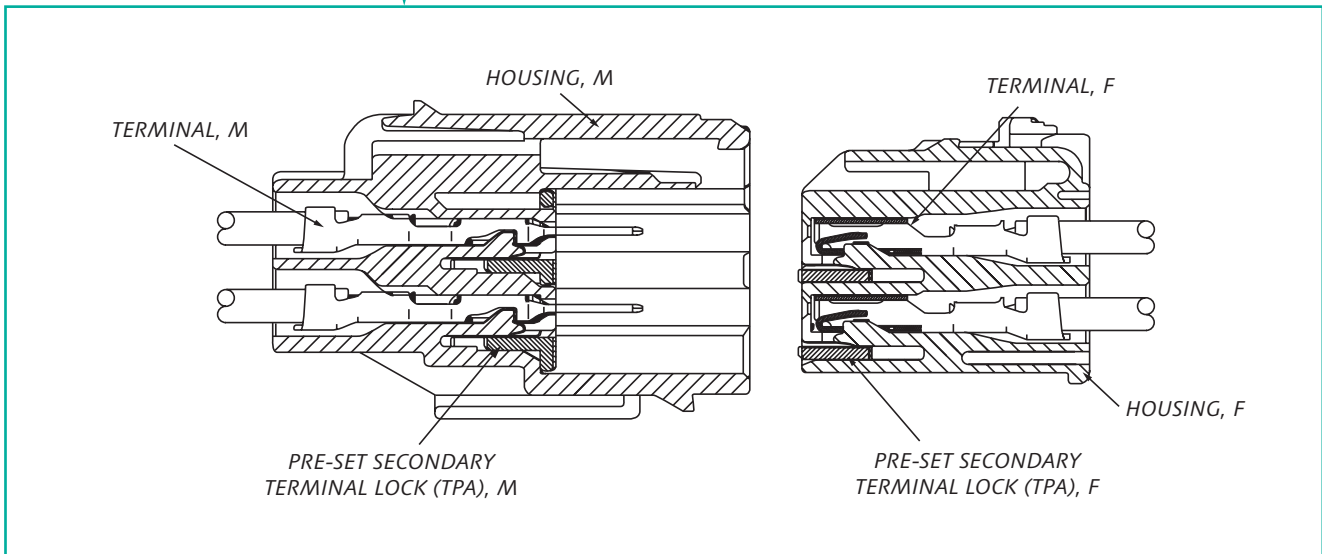
**6.3 SERIES
UNSEALED**

SUPPLEMENT TO YESC CATALOG

6.3 x 0.8

unsealed connection system

Construction

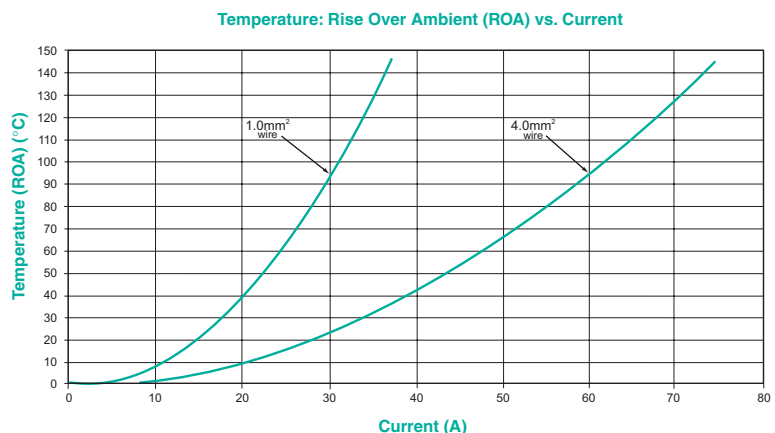


Specifications

Material	Connector	PBT+GF
	Male Terminal	Copper Alloy (Sn Plate)
	Female Terminal	Copper Alloy (Sn Plate)
Operating Temperature Range		-40°C ~ 125°C (145°C max temp.) (USCAR Class III)
Current Capacity		(See Chart)
Voltage Drop		10mΩ max (Term./Term.) (Crimp-To-Crimp)
Isolation Resistance		500VDC, 20MΩ min
Dielectric Resistance		1000VAC (1 minute)
Applicable Wire Size		20AWG ~ 12AWG (0.50mm ² ~ 4.0mm ²)
Terminal Pitch		Horizontal: 8.50mm; Vertical: 7.30mm
Terminal-to-Connector Retention Force		90N min
Connector-to-Connector Retention Force		110N min

Current Rating Curve (Reference Only)

This data is based on single circuit/connector evaluation. Data should be used as reference only. Appropriate derating should be considered based upon specific application requirements.



Terminal

UNIT: mm

Male Terminal

Material: Copper Alloy Thickness: t=0.4

Female Terminal

Material: Copper Alloy Thickness: t=0.4

Description	Part Number	Plating	Applicable Wire Size		
			Europe (mm ²)	U.S.A. (AWG)	Japan (mm ²)
Male Terminal	7114-4120-02	Sn	0.5 ~ 1.0	20 ~ 16	0.5 ~ 1.25
	7114-4121-02	Sn	1.5 ~ 2.5	14	2.0
	7114-4122-02	Sn	4.0	12	3.0
Female Terminal	7116-4120-02	Sn	0.5 ~ 1.0	20 ~ 16	0.5 ~ 1.25
	7116-4121-02	Sn	1.5 ~ 2.5	14	2.0
	7116-4122-02	Sn	4.0	12	3.0

Retainer Clip/Bracket Dimensions

UNIT: mm

Part Number	Panel Hole Requirements
7047-9580 (Ref)	φ6.5mm

Part Number Summary Chart

Part Name	Male	Female
Terminal	7114-4120-02	7116-4120-02
	7114-4121-02	7116-4121-02
	7114-4122-02	7116-4122-02
Applicable Clip	7047-9580 (Ref)	—

Pole	Polarity	Color/Description	YESC Male Part Number	YESC KAIZEN Male Part Number	YESC Female Part Number	YESC KAIZEN Female Part Number
2	A	Light Grey	7282-5590-40	7282-6458-40	7283-5590-40	7283-6458-40
4	A	Light Grey	7282-5594-40	7282-6469-40	7283-5594-40	7283-6469-40
6	A	Light Grey	7282-5604-40	—	7283-5591-40	7283-3740-40
6	B	Green	—	—	7283-5592-60	7283-3741-60

Applicable Terminal Removal Tool/Dimensions

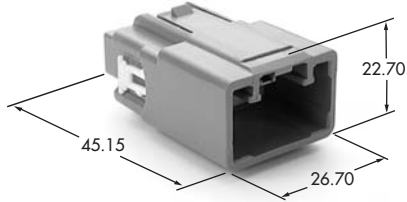
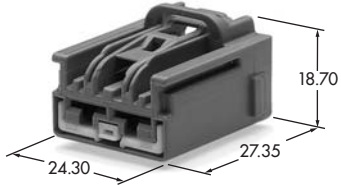
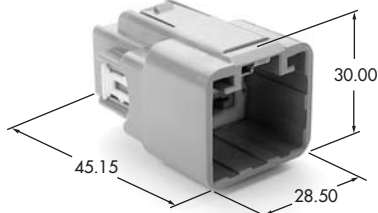
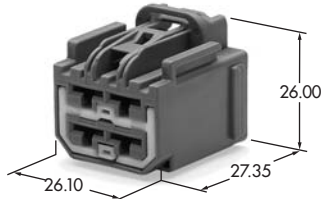
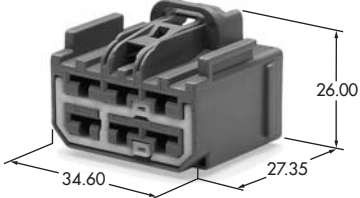
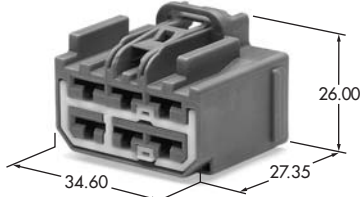
Refer to Page 53 for YESC KAIZEN Connector Terminal Removal Tool. Order Number: G0406 (PA Type).

6.3 x 0.8

unsealed connection system

Housing Material: PBT+GF

UNIT: mm

Poles	Male Housing	Female Housing
2	 <p>7282-6458-40</p>	 <p>7283-6458-40*</p>
4	 <p>7282-6469-40</p>	 <p>7283-6469-40</p>
6	N/A	 <p>7283-3740-40</p>
6	N/A	 <p>7283-3741-60</p>

*Part meets USCAR interface standard at time of printing.

YESC KAIZEN

CONNECTORS

9.5

SERIES

SEALED



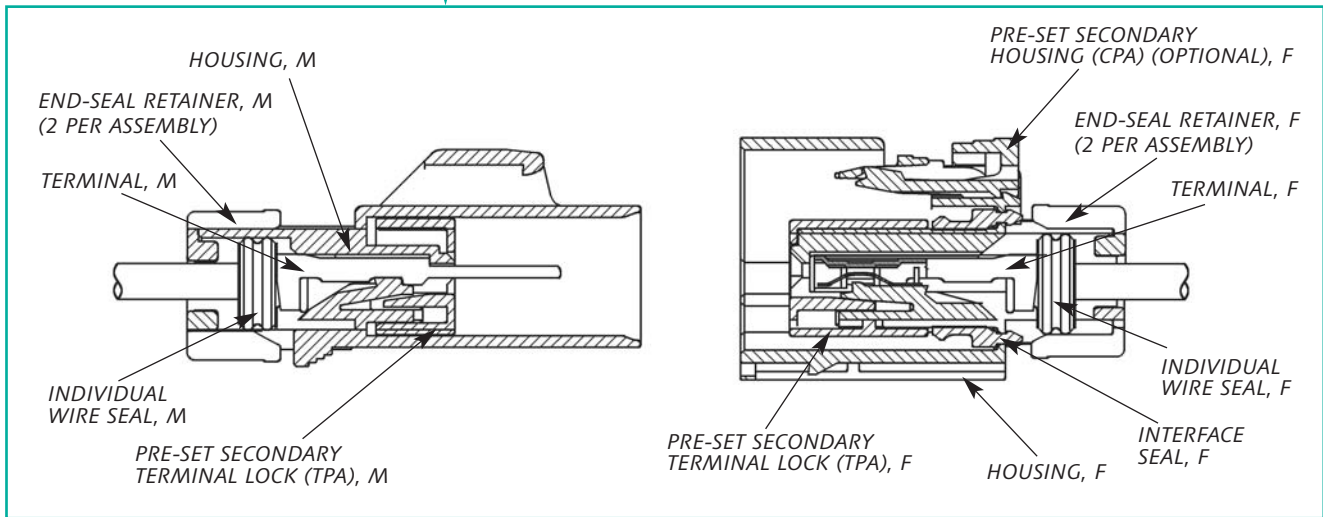
9.5 SERIES
SEALED

SUPPLEMENT TO YESC CATALOG

9.5 x 1.2

sealed connection system

Construction

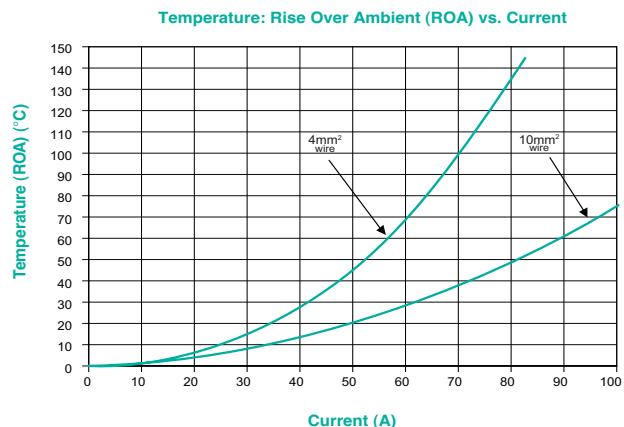


Specifications

Material	Connector	PBT+GF
	Male Terminal	Copper Alloy (Sn Plate)
	Female Terminal	Copper Alloy (Sn Plate)
Operating Temperature Range		-40°C ~ 125°C (145°C max temp.) (USCAR Class III)
Current Capacity		(See Chart)
Voltage Drop		10mΩ max (Term./Term.) (Crimp-to-Crimp)
Isolation Resistance		500VDC, 20MΩ min
Dielectric Resistance		1000VAC (1 minute)
Applicable Wire Size		12AWG ~ 8AWG (4mm ² ~ 8mm ²)
Terminal Pitch		Horizontal: 14.00 mm
Sealing Performance (Air-Leak Pressure)		48KPa min (Pre-Heat Soak); 28KPa (Post-Heat Soak)
Terminal-to-Connector Retention Force		90N min
Connector-to-Connector Retention Force		110N min

Current Rating Curve (Reference Only)

This data is based on single circuit/connector evaluation. Data should be used as reference only. Appropriate derating should be considered based upon specific application requirements.



Terminal

UNIT: mm

Male Terminal

Material: Copper Alloy Thickness: t=0.6

Female Terminal

Material: Copper Alloy Thickness: t=0.6

Description	Part Number	Plating	Applicable Wire Size		
			Europe (mm ²)	U.S.A. (AWG)	Japan (mm ²)
Male Terminal	7114-3273-02	Sn	10	8	10
	7114-3250	Sn	6	10	6
	7114-3251	Sn	4	12	4
Female Terminal	7116-3285-02	Sn	10	8	10
	7116-3250	Sn	6	10	6
	7116-3251	Sn	4	12	4

Cable Seal & Cavity Plug

UNIT: mm

Description	Part Number	Color	Material	Wire O.D. Range
Cable Seal	7157-3581-80	Orange	Silicone	4.3 ~ 5.8
	7157-3580-60	Green	Silicone	3.4 ~ 4.6
	7157-3582-90	Blue	Silicone	2.5 ~ 3.5
Unused Cavity Plug	7157-3583	Black	Silicone	—

Retainer Clip/Bracket Dimensions

UNIT: mm

Part Number	Panel Hole Requirements
7047-9580 (Ref)	φ6.5mm

Applicable Terminal Removal Tool/Dimensions

Refer to Page 53 for YESC KAIZEN Connector Terminal Removal Tool.
Order Number: G0406 (PA Type).

9.5 x 1.2

sealed connection system



Part Number Summary Chart

Part Name	Male	Female
<i>Terminal</i>	7114-3273-02	7116-3285-02
	7114-3250	7116-3250
	7114-3251	7116-3251
<i>Cable Seal</i>	7157-3581-80	
	7157-3580-60	
	7157-3582-90	
<i>Unused Cavity Plug</i>	7157-3583	
<i>Applicable Clip</i>	—	7047-9580 (Ref)
<i>End-Seal Retainer</i>	7158-6174-40	7158-6174-40

Pole	Polarity	Color/Description	Male Part Number	Female Part Number	Delete Caps
2	A	Black	7282-3214-30	7283-3214-30	—

Housing Material: PBT+GF

UNIT: mm

Poles	Male Housing	Female Housing
2	 <p style="text-align: center;">7282-3214-30</p>	 <p style="text-align: center;">7283-3214-30</p>

NOTES

YESC KAIZEN

CONNECTORS

Hybrid

SERIES



**HYBRID
SERIES**

SUPPLEMENT TO YESC CATALOG

Specifications

Material	Connector	PBT+GF
	Male Terminal	Copper Alloy (Sn/Au Plate)
	Female Terminal	Copper Alloy (Sn/Au Plate)
Operating Temperature Range		-40°C ~100°C (120°C max temp.) (USCAR Class II)
Operating Temperature Range		-40°C ~125°C (145°C max temp.) (USCAR Class III)
Current Capacity		(See Chart)
Voltage Drop		10mΩ max (Term./Term.) (Crimp-to-Crimp)
Isolation Resistance		500VDC, 20MΩ min
Dielectric Resistance		1000VAC (1 minute)
Applicable Wire Size		See Specific Connector Section
Terminal-to-Connector Retention Force		See Specific Connector Section
Connector-to-Connector Retention Force		See Specific Connector Section

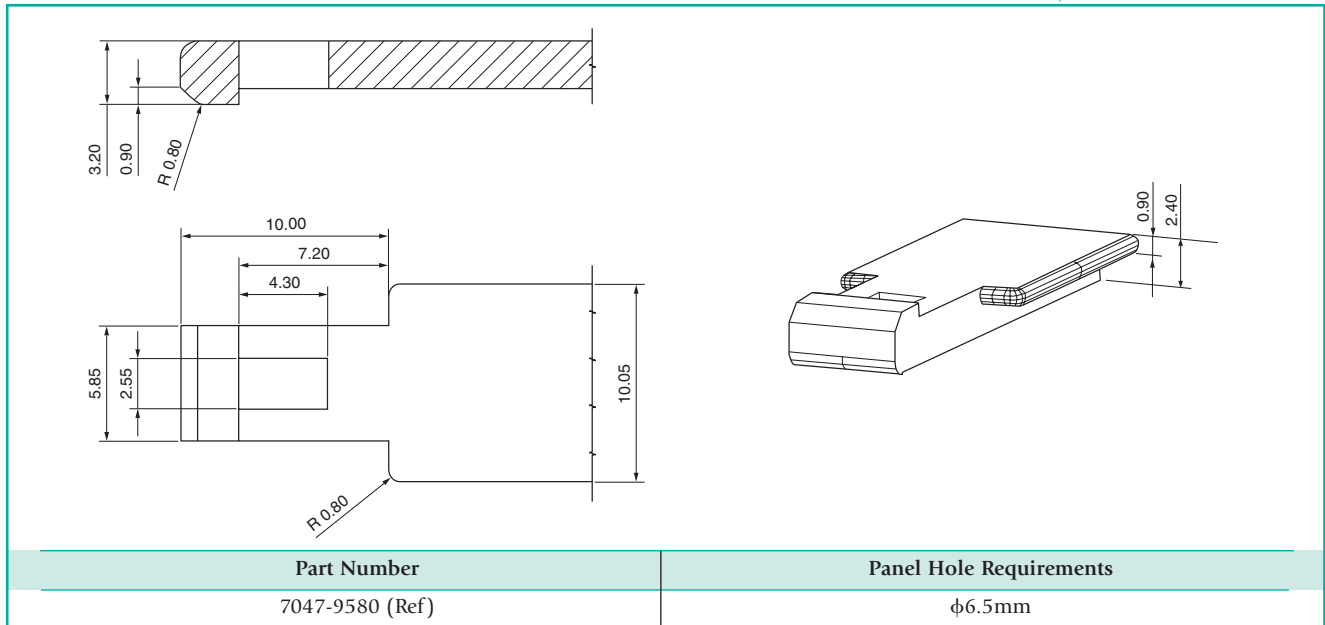
Terminal

UNIT: mm

Description	YESC Part Number	YESC KAIZEN Part Number	Plating	Applicable Wire Size			
				Europe (mm ²)	U.S.A. (AWG)	Japan (mm ²)	
Male Terminal	1.5mm	7114-4100-02/-08	—	Sn/Au	0.35 ~ 0.5	22 ~ 20	0.3 ~ 0.5
		7114-4101-02/-08	—	Sn/Au	0.75 ~ 1.0	18 ~ 16	0.85 ~ 1.25
	2.8mm	7114-4110-02	—	Sn	0.35 ~ 0.5	22 ~ 20	0.3 ~ 0.5
		7114-4111-02	—	Sn	0.75 ~ 1.0	18 ~ 16	0.85 ~ 1.25
		7114-4112-02	—	Sn	1.5 ~ 2.5	14	2.0
	6.3mm	7114-4120-02	—	Sn	0.5 ~ 1.0	20 ~ 16	0.5 ~ 1.25
		7114-4121-02	—	Sn	1.5 ~ 2.5	14	2.0
		7114-4122-02	—	Sn	4.0	12	3.0
	Female Terminal	1.5mm	7116-4100-02	7116-4780-02	Sn	0.35 ~ 0.5	22 ~ 20
7116-4100-08			—	Au	0.35 ~ 0.5	22 ~ 20	0.3 ~ 0.5
7116-4101-02			7116-4781-02	Sn	0.75 ~ 1.0	18 ~ 16	0.85 ~ 1.25
7116-4101-08			—	Au	0.75 ~ 1.0	18 ~ 16	0.85 ~ 1.25
2.8mm		7116-4110-02	7116-4270-02	Sn	0.35 ~ 0.5	22 ~ 20	0.3 ~ 0.5
		7116-4111-02	7116-4271-02	Sn	0.75 ~ 1.0	18 ~ 16	0.85 ~ 1.25
		7116-4112-02	7116-4272-02	Sn	1.5 ~ 2.5	14	2.0
6.3mm		7116-4120-02	—	Sn	0.5 ~ 1.0	20 ~ 16	0.5 ~ 1.25
		7116-4121-02	—	Sn	1.5 ~ 2.5	14	2.0
	7116-4122-02	—	Sn	4.0	12	3.0	

Retainer Clip/Bracket Dimensions

UNIT: mm



Part Number Summary Chart

Part Name	YESC Male Part Number	YESC KAIZEN Male Part Number	YESC Female Part Number	YESC KAIZEN Female Part Number	
Terminal	1.5mm	7114-4100-02	—	7116-4100-02	7116-4780-02
		7114-4100-08	—	7116-4100-08	—
		7114-4101-02	—	7116-4101-02	7116-4781-02
		7114-4101-08	—	7116-4101-08	—
	2.8mm	7114-4110-02	—	7116-4110-02	7116-4270-02
		7114-4111-01	—	7116-4111-02	7116-4271-02
		7114-4112-02	—	7116-4112-02	7116-4272-02
	6.3mm	7114-4120-02	—	7116-4120-02	—
		7114-4121-02	—	7116-4121-02	—
		7114-4122-02	—	7116-4122-02	—
	Applicable Clip	7047-9580 (Ref)	—	—	—

Part Number Summary Chart (cont.)

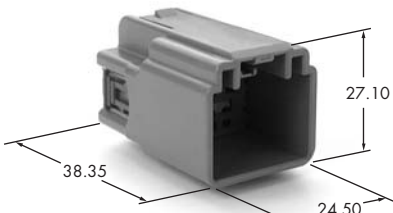
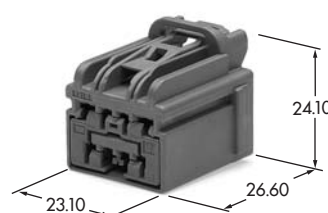
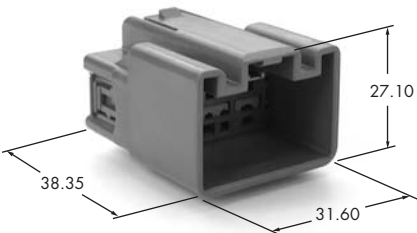
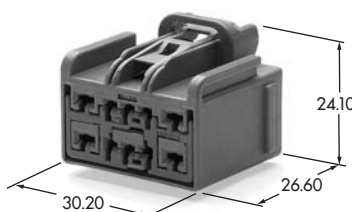

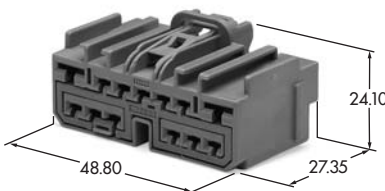
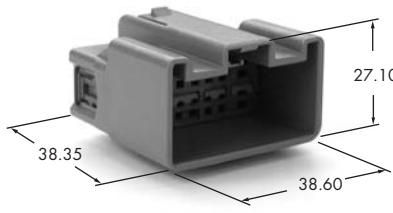
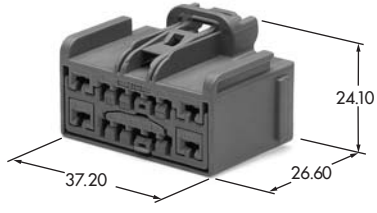
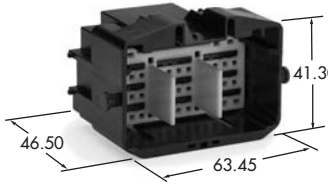

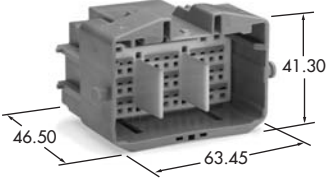
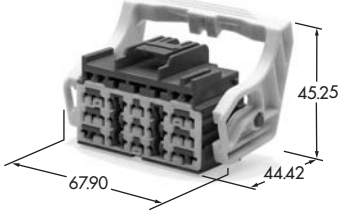
Pole	Polarity	Color/Description	YESC Male Part Number	YESC KAIZEN Male Part Number	YESC Female Part Number	YESC KAIZEN Female Part Number
8	A	Light Grey 6 x1.5, 2x2.8	7282-5620-40	7282-6448-40	7283-5620-40	7283-6448-40
10	A	Light Grey 6x1.5, 4x2.8	7282-5621-40	7282-6459-40	7283-5621-40	7283-6459-40
13	A	Light Grey 11x2.8,2x6.3	7282-5625-40	7282-6569-40	7283-5625-40	7283-6569-40
14	A	Light Grey 10x1.5, 4x2.8	7282-5622-40	7282-6447-40	7283-5622-40	7283-6447-40
43	A	Black 34x1.5, 6x2.8, 3x6.3	---	7282-4190-30	---	7283-4190-30
43	B	Light Grey 34x1.5, 6x2.8, 3x6.3	---	7282-4192-40	---	7283-4192-40

Applicable Terminal Removal Tool/Dimensions

Refer to Page 52-53 for YESC KAIZEN Connector Terminal Removal Tool.
 Order Number: 49YA000263 (for 0.64 terminal), X39899-J374 (for 1.5 and 2.8 terminal), and G0406 (PA Type) (for 6.3 terminal).

Housing Material: PBT+GF

UNIT: mm

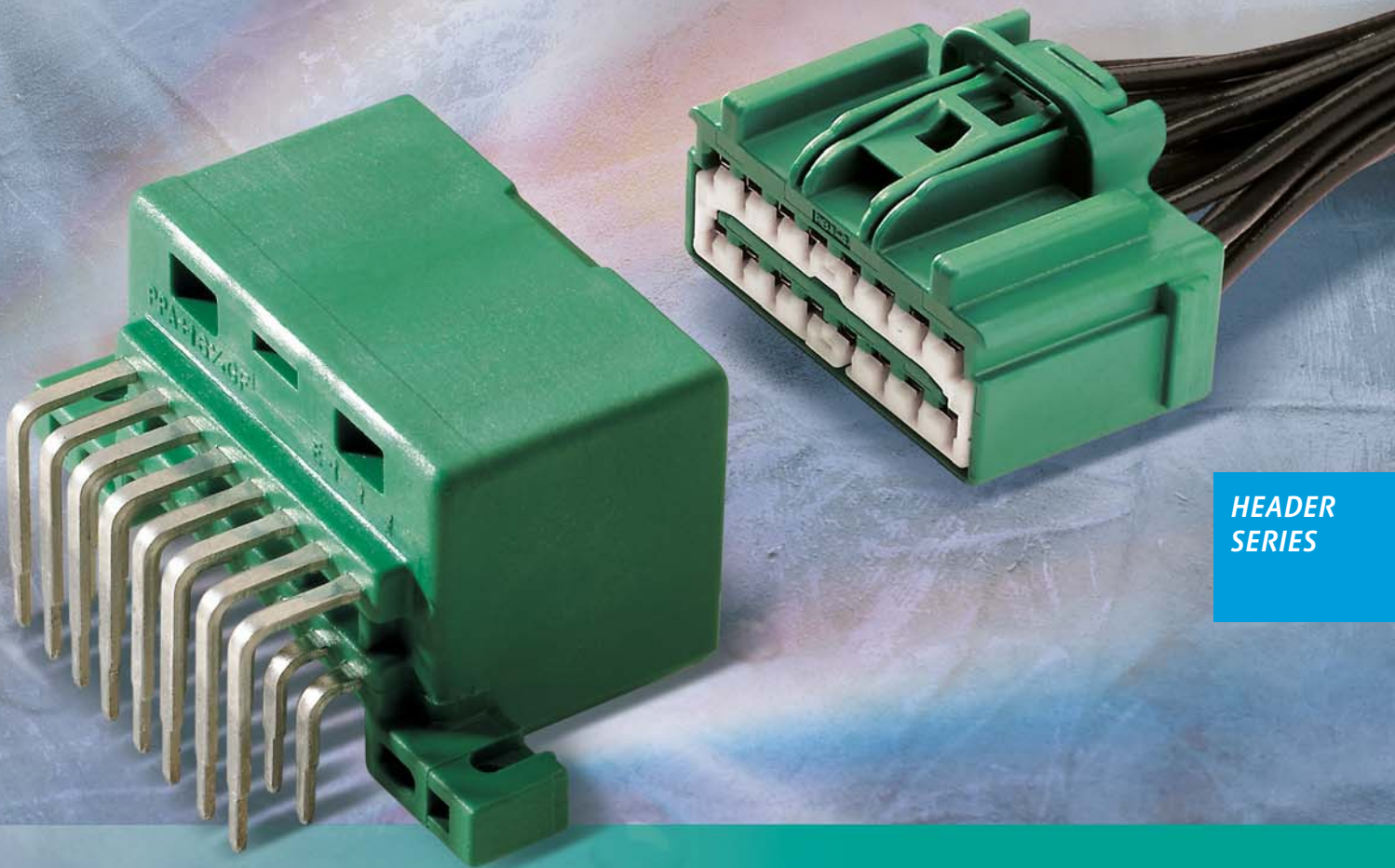
Poles	Male Housing	Female Housing
8	 <p>7282-6448-40</p>	 <p>7283-6448-40</p>
10	 <p>7282-6459-40</p>	 <p>7283-6459-40</p>
13	 <p>7282-6569-40</p>	 <p>7283-6569-40</p>
14	 <p>7282-6447-40</p>	 <p>7283-6447-40</p>
43	 <p>7282-4190-30</p>	 <p>7283-4190-30</p>
43	 <p>7282-4192-40</p>	 <p>7283-4192-40</p>

NOTES

YESC KAIZEN

CONNECTORS

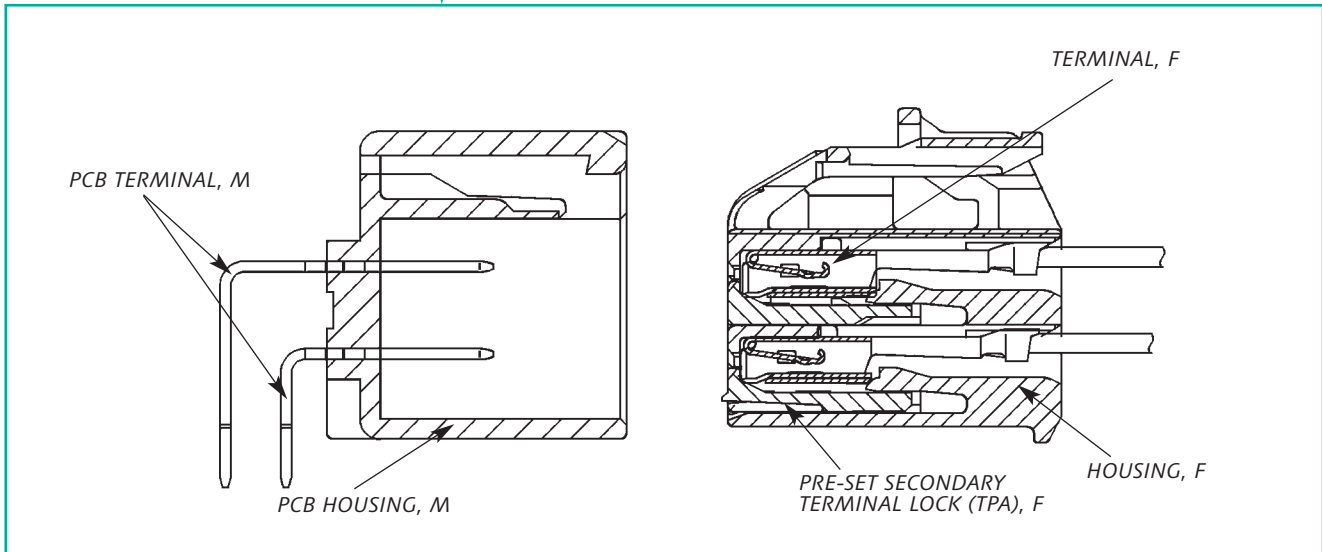
Header SERIES



HEADER
SERIES

SUPPLEMENT TO YESC CATALOG

Construction



Specifications

Material	Connector	See Section
	Male Terminal	Brass (Sn Plate)
	Female Terminal	Copper Alloy (Sn/Au Plate)
Operating Temperature Range		-40°C ~100°C (125°C max temp.) (USCAR Class II)
Current Capacity		(See Chart)
Voltage Drop		10mΩ max (Term./Term.)
Isolation Resistance		500VDC, 20MΩ min
Dielectric Resistance		1000VAC (1 minute)
Terminal-to-Connector Retention Force		90N min
Connector-to-Connector Retention Force		110N min

Current Rating Curve

SEE APPLICABLE BLADE SIZE SECTION

Terminal

UNIT: mm

<i>Male PCB Terminal</i>			<i>Female Terminal</i>				
PURCHASED IN ASSEMBLY			SEE APPLICABLE BLADE SIZE SECTION				
<i>Material: Brass</i>			<i>Material: Copper Alloy</i>		<i>Thickness: t=0.3</i>		
Description	YESC Part Number	YESC KAIZEN Part Number	Plating	Applicable Wire Size			
				Europe (mm ²)	U.S.A. (AWG)	Japan (mm ²)	
<i>Male Terminal</i>	—	—	—	—	—	—	
<i>Female Terminal</i>	1.5mm	7116-4100-02	7116-4780-02	Sn	0.35 ~ 0.5	22 ~ 20	0.3 ~ 0.5
		7116-4100-08	—	Au	0.35 ~ 0.5	22 ~ 20	0.3 ~ 0.5
		7116-4101-02	7116-4781-02	Sn	0.75 ~ 1.0	18 ~ 16	0.85 ~ 1.25
		7116-4101-08	—	Au	0.75 ~ 1.0	18 ~ 16	0.85 ~ 1.25
	2.8mm	7116-4110-02	7116-4270-02	Sn	0.35 ~ 0.5	22 ~ 20	0.3 ~ 0.5
		7116-4111-02	7116-4271-02	Sn	0.75 ~ 1.0	18 ~ 16	0.85 ~ 1.25
		7116-4112-02	7116-4272-02	Sn	1.5 ~ 2.5	14	2.0
	6.3mm	7116-4120-02	—	Sn	0.5 ~ 1.0	20 ~ 16	0.5 ~ 1.25
		7116-4121-02	—	Sn	1.5 ~ 2.5	14	2.0
7116-4122-02		—	Sn	4.0	12	3.0	

Part Number Summary Chart

Part Name		Male	YESC Female	YESC KAIZEN Female
Terminal	1.5mm	---	7116-4100-02	7116-4780-02
		---	7116-4100-08	---
		---	7116-4101-02	7116-4781-02
		---	7116-4101-08	---
	2.8mm	---	7116-4110-02	7116-4270-02
		---	7116-4111-02	7116-4271-02
		---	7116-4112-02	7116-4272-02
	6.3mm	---	7116-4120-02	---
		---	7116-4211-02	---
		---	7116-4122-02	---

Pole	Polarity	Color/Description	Male Part Number	YESC Female Part Number	YESC KAIZEN Female Part Number
10	A	Light Grey 1.5mm Header	7382-5884-40	7283-5533-40	7283-6455-40
10	B	Black 1.5mm Header	7382-6379-30	7283-5533-40	7283-6455-40
12	A	Black 1.5mm Header	7382-5957-30	7283-5540-40	7283-3442-40
16	A	Green/Config 1 1.5mm Header	7382-5551-60	7283-5534-60	7283-6453-60
16	A	Green/Config 2 1.5mm Header	7382-5681-60	7283-5534-60	7283-6453-60
16	A	Green/Config 3 1.5mm Header	7382-5682-60	7283-5534-60	7283-6453-60
32	A	Black 1.5mm Header	7382-5552-30	7283-5535-90	7283-6456-90
				7283-5536-40	7283-3585-40
32	B	Light Grey 1.5mm Header	7382-5881-40	7283-5535-90	7283-6456-90
				7283-5536-40	7283-3585-40
12	A	Light Grey 2.8mm Header	7382-5568-40	7283-5567-40	7283-6467-40
2	A	Black 6.3mm Header	7382-5608-30	7283-5590-40	7283-6458-40
				7283-5590-40	7283-6458-40
2	A	Light Grey 6.3mm Header	7382-5597-40	7283-5590-40	7283-6458-40
4	A	Black 6.3mm Header	7382-5613-30	7283-5594-40	7283-6469-40
14	A	Light Grey Hybrid 10x1.5, 4x2.8	7382-5627-40	7283-5622-40	7283-6447-40

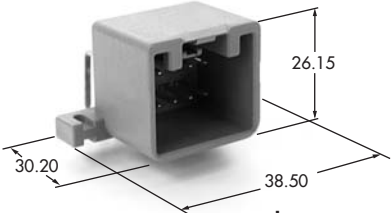
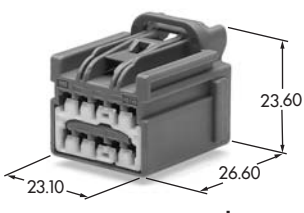
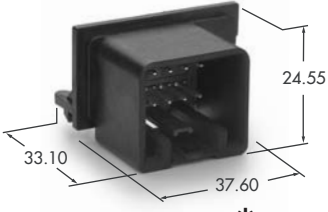
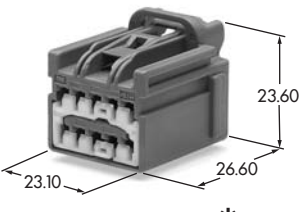
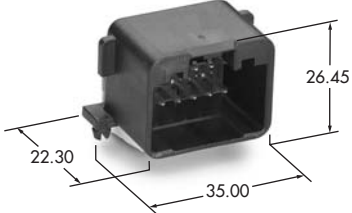
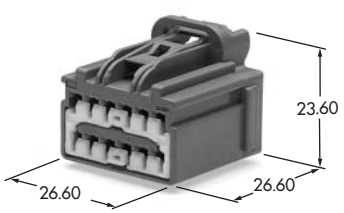
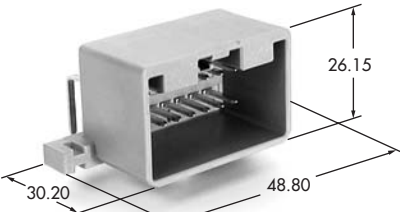
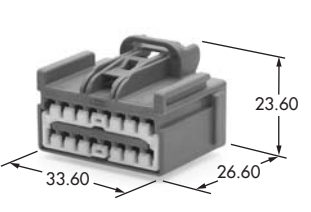
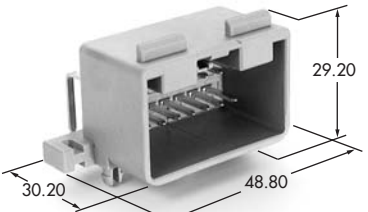
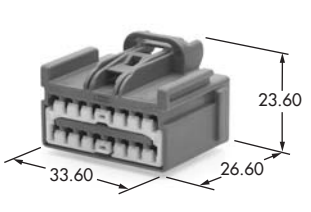
Applicable Terminal Removal Tool/Dimensions

Refer to Page 52-53 for YESC KAIZEN Connector Terminal Removal Tool.
Order Number: X39899-J374 (for 1.5 and 2.8 terminal) and G0406 (PA Type) (for 6.3 terminal).

Housing Material: PPA-GF16

Material: PBT+GF

UNIT: mm

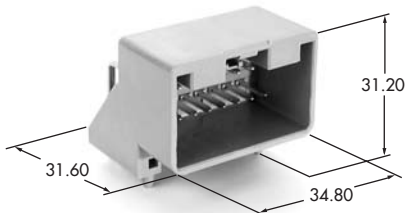
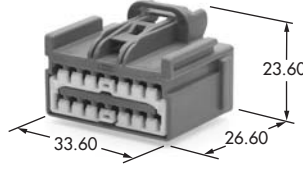
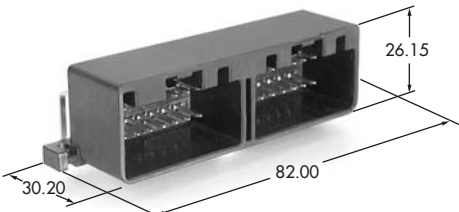
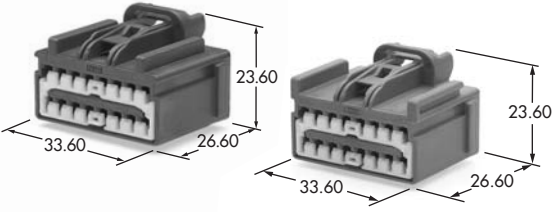
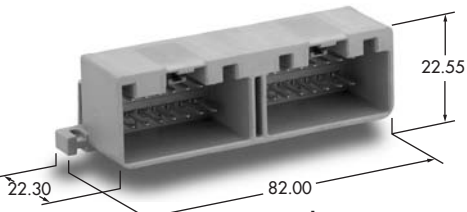
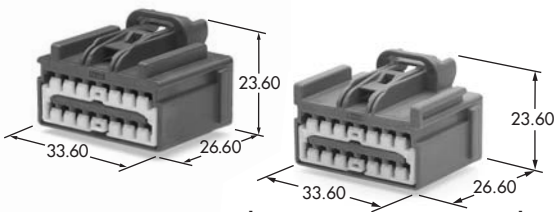
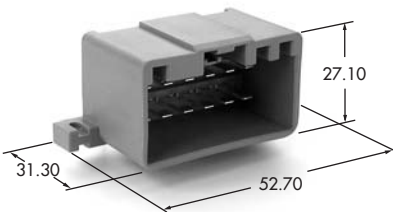
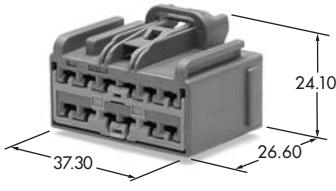
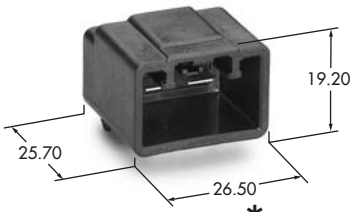
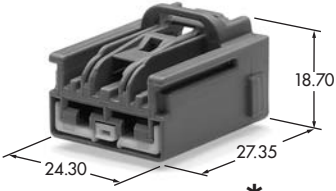
Poles	Male Housing	Female Housing
10	 <p>7382-5884-40*</p>	 <p>7283-6455-40*</p>
10	 <p>7382-6379-30*</p>	 <p>7283-6455-40*</p>
12	 <p>7382-5957-30*</p>	 <p>7283-3442-40*</p>
16	 <p>7382-5551-60*</p>	 <p>7283-6453-60*</p>
16	 <p>7382-5681-60*</p>	 <p>7283-6453-60*</p>

* Part meets USCAR interface standard at time of printing.

Housing Material: PPA-GF16

Material: PBT+GF

UNIT: mm

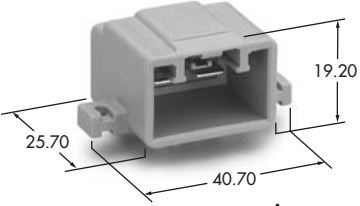
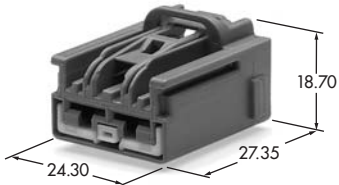
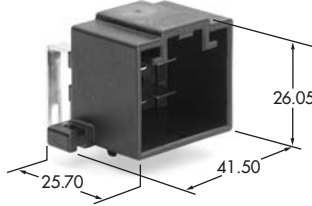
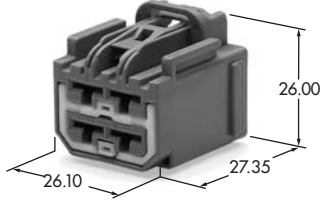
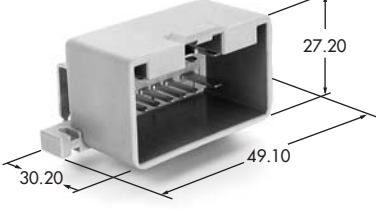
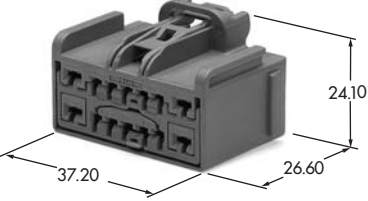
Poles	Male Housing	Female Housing
16	 <p>31.60, 34.80, 31.20</p> <p>7382-5682-60*</p>	 <p>23.60, 33.60, 26.60</p> <p>7283-6453-60*</p>
32	 <p>30.20, 82.00, 26.15</p> <p>7382-5552-30*</p>	 <p>23.60, 33.60, 26.60</p> <p>7283-6456-90 (16P)* 7283-3585-40 (16P)*</p>
32	 <p>22.30, 82.00, 22.55</p> <p>7382-5881-40*</p>	 <p>23.60, 33.60, 26.60</p> <p>7283-6456-90 (16P)* 7283-3585-40 (16P)*</p>
12	 <p>31.30, 52.70, 27.10</p> <p>7382-5568-40</p>	 <p>24.10, 37.30, 26.60</p> <p>7283-6467-40</p>
2	 <p>25.70, 26.50, 19.20</p> <p>7382-5608-30*</p>	 <p>18.70, 24.30, 27.35</p> <p>7283-6458-40*</p>

* Part meets USCAR interface standard at time of printing.

Housing Material: PPA-GF16

Material: PBT+GF

UNIT: mm

Poles	Male Housing	Female Housing
2	 <p>7382-5597-40*</p>	 <p>7283-6458-40*</p>
4	 <p>7382-5613-30</p>	 <p>7283-6469-40</p>
14	 <p>7382-5627-40</p>	 <p>7283-6447-40</p>

* Part meets USCAR interface standard at time of printing.

NOTES

YESC KAIZEN

CONNECTORS

Terminal REMOVAL



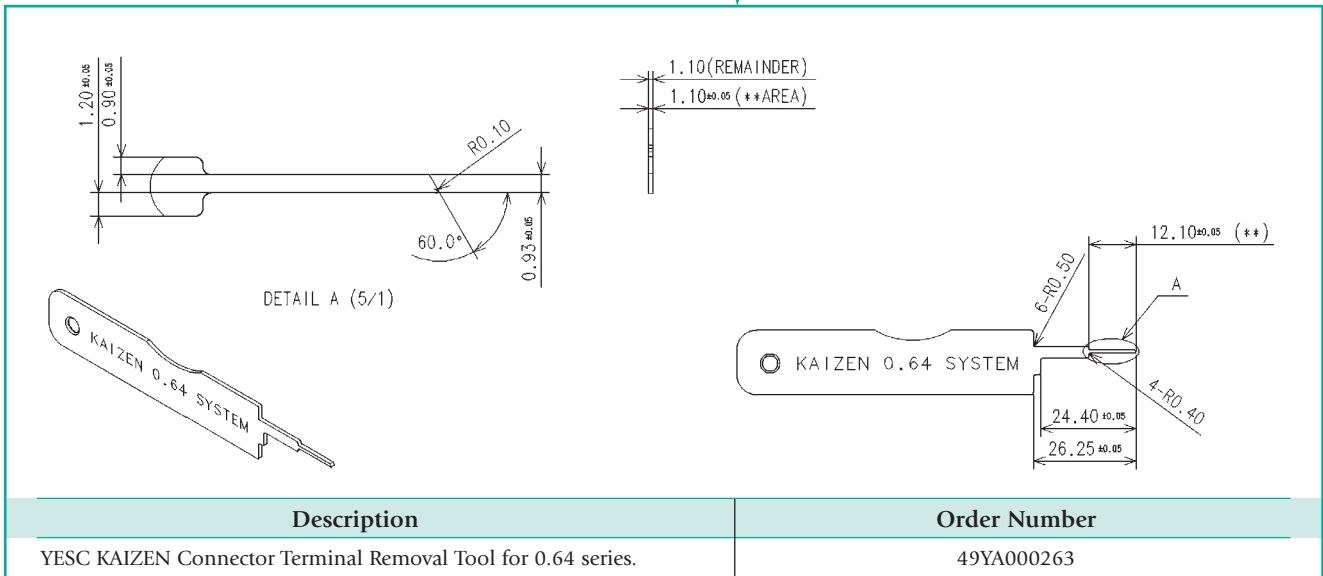
TERMINAL
REMOVAL

SUPPLEMENT TO YESC CATALOG

TERMINAL REMOVAL

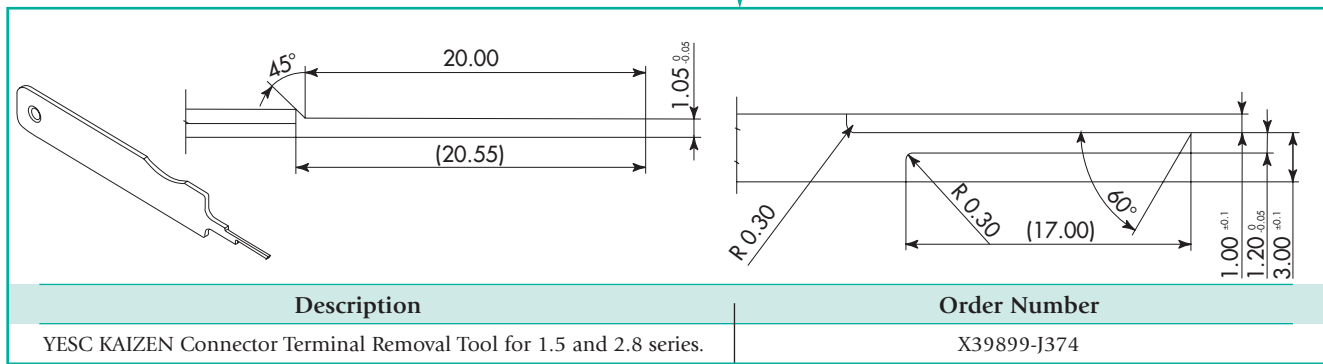
Applicable Terminal Removal Tool/Dimensions

UNIT: mm



Applicable Terminal Removal Tool/Dimensions

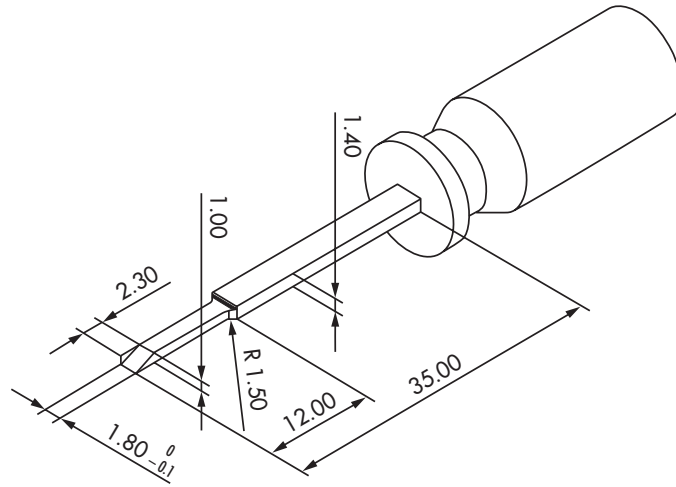
UNIT: mm



TERMINAL REMOVAL

Applicable Terminal Removal Tool/Dimensions

UNIT: mm



Description	Order Number
YESC KAIZEN Connector Terminal Removal Tool for 6.3 and 9.5 series.	G0406 (PA Type)

NOTES

YESC KAIZEN

CONNECTORS

Index



INDEX

PART NUMBERING METHODOLOGY

7XXX-XXXX-XX:

Degree of Assembly

1 = Single Component
2 = Sub-Assembly
3 = Full Assembly
(ex. Header, Connector w/
terminated wire, etc.)

Base Number:
Sequential
(No specific meaning)

Component Description:

14 = Terminal, Male
16 = Terminal, Female
82 = Connector, Male (newer)
83 = Connector, Female (newer)

Suffix, Denotes Part Color or Plating Type:

- ←
-02 = Sn Plating
-08 = Precious Metal Plating
-10 = Dark Grey
-20 = Purple
-30 = Black
-40 = Light Grey
-50 = Orange / Red / Pink
-60 = Green
-70 = Yellow
-80 = Brown
-90 = Blue

*No suffix indicates: Natural Color
for plastic, and black for rubber.*

Miscellaneous Component* = Cable Seal, Clip, Wire Shield, TPA, CPA, etc.

DISCLAIMER: The information contained in this catalog is for reference purposes only, is subject to change without notice, and is not guaranteed by Yazaki Corporation, Yazaki North America Inc., Yazaki Europe Limited or any other Yazaki group company (collectively referred to as "Yazaki"). Yazaki makes no warranty as to the completeness or accuracy of the information contained herein, and is not responsible for any typographical or printing errors. Current specifications for individual products should be obtained by potential customers in connection with placing orders for products with Yazaki.

The customer, among other matters, is solely responsible for determining the fitness or suitability of any product of Yazaki for the purpose intended by the customer and for all design and related matters.

Yazaki makes no warranty, express or implied, with respect to any product referred to in this catalog, except such express warranty. If any as may be specifically agreed to by Yazaki in a written agreement signed and delivered by an authorized representative of Yazaki for the sale of such product, and any such express warranty shall be the sole and exclusive liability of Yazaki. Yazaki makes no other warranty. Whether express, implied, statutory or otherwise, including but not limited to any warranty of merchantability or fitness for any particular use, purpose or otherwise with respect to such products.

NORTH AMERICA

Headquarters:

6801 Haggerty Road,
Canton, MI 48187, USA
734.983.1000
888.942.9152

El Paso Division:

1265 Peter Cooper, CIMS 711-00-00
El Paso, Texas 79936, USA
915.858.8100

ASIA & SOUTH AMERICA

Singapore Component PET, LTD.: (SINCOM)

79 Anson Road #08-01
SINGAPORE 079906
65.622.6.6910

Japan:

World Headquarters
Component Operations:
1500 Mishuku, Susono-City
Shizuoka-Ken
410-1194 JAPAN
81.559.65.3026

EUROPE

Components Business Unit

Cologne:

Robert-Bosch-Strasse 43
D-50769 Cologne, GERMANY
49.221.59799.0

Components Business Unit

Croatia:

HR-10000 Zagreb
Budmanijeva 1
Zagreb, CROATIA
385.1.6323.100

Hemel Hempstead:

Unit 1. The Willows, Mark Road
Hemel Hempstead, Hertfordshire
HP1 7AV UNITED KINGDOM
44.1442.29.2400

Belgium:

Bedrijfsstraat 1220, B-3660
Opglabbeek, BELGIUM
32.89.85.21.40

Barcelona:

Gran Via de Les Corts Catalanes 184
Atico 2A,
E-08038 Barcelona, SPAIN
34.93.432.9200

Gothenburg:

Exportgatan 38B
SE-422 46 Hisings-Backa, SWEDEN
46.31.742.0600

Torino:

Via Leonardo da Vinci, 29
I-10095 Grugliasco
Torino, ITALY
39.011.780.4848

www.yazaki-na.com

888.942.9152

