

7204A-0050 ✓ ACTIVE

MEAS | MEAS 7204A

TE Internal #: 7204A-0050

Piezoelectric Accelerometer, Uniaxial Sensing, Screw Mount, MEAS 7204A

[View on TE.com >](#)



Sensors > Vibration Sensors > Through Hole Accelerometer w Connector



Accelerometer Type: **IEPE**

Vibration Sensor Product Type: **Piezoelectric Accelerometer**

Number of Sensing Axes: **Uniaxial**

Frequency Response: **1 to 6000 Hz**

Full Scale Output Voltage: **±5 VDC**

[All Through Hole Accelerometer w Connector \(1\)](#)

Features

Product Type Features

Sensor Package	Plug & Play
Accelerometer Type	IEPE
Vibration Sensor Product Type	Piezoelectric Accelerometer

Configuration Features

Electrical Connection	3-Pin Connector
-----------------------	-----------------

Electrical Characteristics

Excitation Current	2 – 20 mA
Excitation Voltage Range	18 – 30 VDC
Full Scale Output Voltage	±5 VDC

Signal Characteristics

Frequency Response	1 to 6000 Hz
--------------------	--------------

Body Features

Primary Product Material	Stainless Steel
Product Weight	23 g [.805 oz]
Number of Sensing Axes	Uniaxial

Mechanical Attachment



Sensor Mount Type	Screw Mount
-------------------	-------------

Usage Conditions

Operating Temperature Range	-55 – 130 °C[-67 – 266 °F]
-----------------------------	----------------------------

Operation/Application

Output Current Type	AC
---------------------	----

Other

Non-Linearity (FSO)	±1 %
---------------------	------

Acceleration Range (±)	50 g
------------------------	------

Sensitivity	100 mV/g
-------------	----------

Product Compliance

[For compliance documentation, visit the product page on TE.com>](#)

EU RoHS Directive 2011/65/EU	Compliant
------------------------------	-----------

EU ELV Directive 2000/53/EC	Out of Scope
-----------------------------	--------------

China RoHS 2 Directive MIIT Order No 32, 2016	No Restricted Materials Above Threshold
-----------------------------------------------	-----------------------------------------

EU REACH Regulation (EC) No. 1907/2006	Current ECHA Candidate List: JUNE 2024 (241) Candidate List Declared Against: JUN 2020 (209) Does not contain REACH SVHC
----------------------------------------	--------------------------------------------------------------------------------------------------------------------------------

Halogen Content	Not Yet Reviewed for halogen content
-----------------	--------------------------------------

Solder Process Capability	Not reviewed for solder process capability
---------------------------	--------------------------------------------

Product Compliance Disclaimer

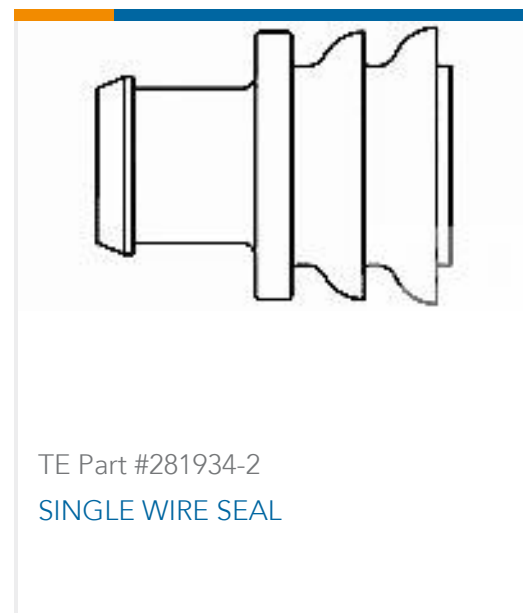
This information is provided based on reasonable inquiry of our suppliers and represents our current actual knowledge based on the information they provided. This information is subject to change. The part numbers that TE has identified as EU RoHS compliant have a maximum concentration of 0.1% by weight in homogenous materials for lead, hexavalent chromium, mercury, PBB, PBDE, DBP, BBP, DEHP, DIBP, and 0.01% for cadmium, or qualify for an exemption to these limits as defined in the Annexes of Directive 2011/65/EU (RoHS2). Finished electrical and electronic equipment products will be CE marked as required by Directive 2011/65/EU. Components may not be CE marked. Additionally, the part numbers that TE has identified as EU ELV compliant have a maximum concentration of 0.1% by weight in homogenous materials for lead, hexavalent chromium, and mercury, and 0.01% for cadmium, or qualify for an exemption to these limits as defined in the Annexes of Directive 2000/53/EC (ELV). Regarding the REACH Regulation, the information TE provides on SVHC in articles for this part number is based on the latest European Chemicals Agency (ECHA) 'Guidance on requirements for substances in articles' posted at this URL: <https://echa.europa.eu/guidance-documents/guidance-on-reach>

Also in the Series | [MEAS 7204A](#)



Vibration Sensors(1)

Customers Also Bought

TE Part #DT04-2P
REC, 2P, GRY, NTE Part #DT06-2S
PLG, 2P, GRY, NTE Part #W2S
Wedgelocks: DEUTSCH DTTE Part #0460-202-16141
DEUTSCH Solid ContactsTE Part #282080-1
AMP SUPERSEAL 1.5MM,
CONNECTOR HOUSINGTE Part #281934-2
SINGLE WIRE SEALTE Part #114017-ZZ
SEALING PLUG, SIZE 12/16, WHT

Documents

CAD Files

3D PDF

3D

Customer View Model

[ENG_CVM_CVM_7204A-0050_C.2d_dxf.zip](#)

English

Customer View Model

[ENG_CVM_CVM_7204A-0050_C.3d_igs.zip](#)

English

Customer View Model

[ENG_CVM_CVM_7204A-0050_C.3d_stp.zip](#)

English

By downloading the CAD file I accept and agree to the [Terms and Conditions](#) of use.

Datasheets & Catalog Pages

[7204A_Accelerometer](#)

English

