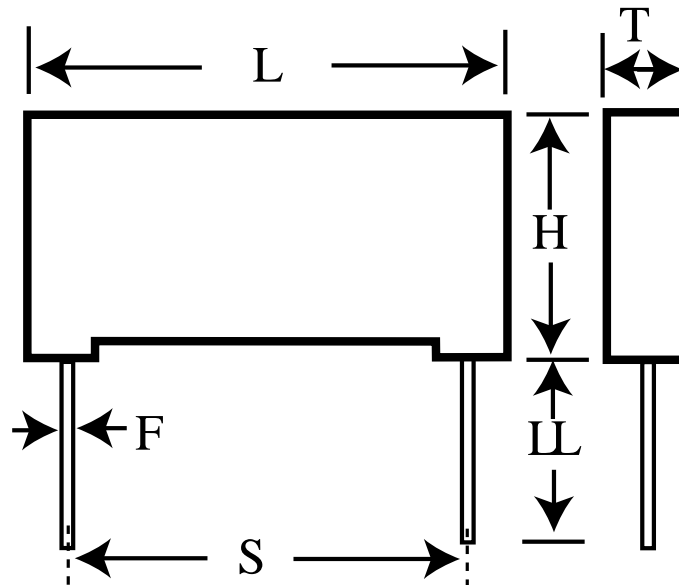


# R71VN36805030K

aka 71VN36805030K

Capacitor, film, 0.68 uF, +/-10% Tol, -40/+110C, Power Factor Correction, 250VAC, Lead Spacing=22.5 mm



## Dimensions (mm)

## Specifications

ID	Dimension	Tolerance	Manufacturer:	KEMET
L	26.5	+0.3	Brand:	Arcotronics
H	16	+0.1	Capacitance:	0.68 uF
T	7	+0.2	Temperature Range:	-40/+110C
S	22.5	+/-0.4	Rated Temperature:	105C
LL	25	+2/-1	Voltage @ rated temp:	520V
F	0.8	+/-0.05	Voltage AC:	250VAC
			Tolerance:	+/-10%
			Body Type:	Radial Box
			Construction:	Wound
			Application:	Power Factor Correction
			Dissipation Factor @ 1 kHz:	0.1%
			Insulation Resistance:	44.12 GOhm
			Inductance:	18 nH
			Maximum dVdT:	120v/us
			Maximum K0:	125000V^2/us
			Package Kind:	Bulk
			Package Type:	Bag
			Package Quantity:	500