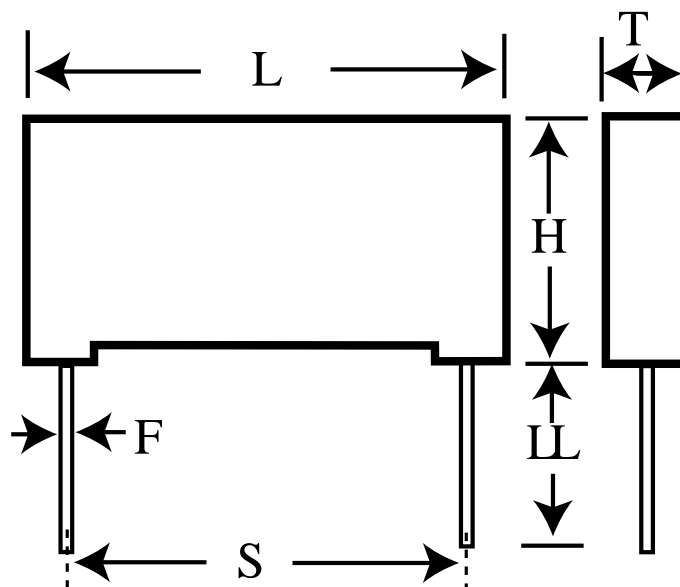


R71PI33305010K

aka 71PI33305010K

Capacitor, film, 0.33 uF, +/-10% Tol, -40/+110C, Power Factor Correction, 275VAC, Lead Spacing=15 mm



Dimensions (mm)

Specifications

ID	Dimension	Tolerance	Manufacturer:	KEMET
L	18	+0.5	Brand:	Arcotronics
H	18.5	+0.1	Capacitance:	0.33 uF
T	7.5	+0.2	Temperature Range:	-40/+110C
S	15		Rated Temperature:	105C
LL	25	+2/-1	Voltage @ rated temp:	630V
F	0.8	+/-0.05	Voltage AC:	275VAC
			Tolerance:	+/-10%
			Body Type:	Radial Box
			Construction:	Wound
			Application:	Power Factor Correction
			Dissipation Factor @ 1 kHz:	0.1%
			Insulation Resistance:	100 GOhm
			Inductance:	10 nH
			Maximum dVdT:	250v/us
			Maximum K0:	315000V^2/us
			Package Kind:	Bulk
			Package Type:	Bag
			Package Quantity:	500