

PLEASE CHECK WWW.MOLEX.COM FOR LATEST PART INFORMATION

Part Number: [71741-0003](#)

Status: **Active**

Overview: [PMC](#)

Description: 1.00mm Pitch Mezzanine Plug, Surface Mount, Dual Row, Vertical Stacking, 84 Circuits, 8.35mm Unmated Height, without PCB Locator Pegs, with Robotic Placement Metal Cap, 0.76µm Gold (Au) Selective Plating, Embossed Tape on Reel

Documents:

[3D Model](#)

[Drawing \(PDF\)](#)

[Product Specification PS-71741-9999 \(PDF\)](#)

[RoHS Certificate of Compliance \(PDF\)](#)

Agency Certification

CSA LR19980
UL E29179

General

Product Family PCB Headers
Series [71741](#)
Application Board-to-Board, Signal
Overview [PMC](#)
Product Name Mezzanine
UPC 800755014495

Physical

Breakaway No
Circuits (Loaded) 84
Circuits (maximum) 84
Color - Resin Natural
Flammability 94V-0
Glow-Wire Compliant No
Lock to Mating Part None
Mated Height 10.00mm, 15.00mm
Material - Metal Phosphor Bronze
Material - Plating Mating Gold
Material - Plating Termination Tin
Material - Resin High Temperature Thermoplastic
Net Weight 3.412/g
Number of Rows 2
Orientation Vertical
PCB Locator No
PCB Retention None
Packaging Type Embossed Tape on Reel
Pitch - Mating Interface 1.00mm
Plating min - Mating 0.762µm
Plating min - Termination 1.905µm
Robotic Placement Pick and Place Cap
Shrouded Fully
Stackable No
Temperature Range - Operating -55°C to +85°C
Termination Interface: Style Surface Mount

Electrical

Current - Maximum per Contact 1A
Voltage - Maximum 100V

Solder Process Data

Lead-free Process Capability Reflow Capable (SMT only)

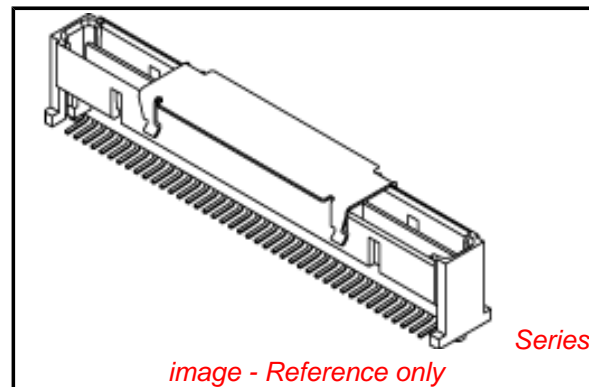


image - Reference only

EU RoHS

ELV and RoHS Compliant

REACH SVHC

Not Reviewed

Low-Halogen Status

Low-Halogen

China RoHS



Need more information on product environmental compliance?

Email productcompliance@molex.com
For a multiple part number RoHS Certificate of Compliance, [click here](#)

Please visit the [Contact Us](#) section for any non-product compliance questions.

Search Parts in this Series

[71741Series](#)

Mates With

[71742](#) for Stack Height 10.00mm, [71742](#) for Stack Height 15.00mm

Process Temperature max. C

260

Material Info

Reference - Drawing Numbers

Product Specification

PS-71741-9999

Sales Drawing

SDA-71741-0***

This document was generated on 07/08/2013

PLEASE CHECK WWW.MOLEX.COM FOR LATEST PART INFORMATION