



Part Number : [1300620284](#)

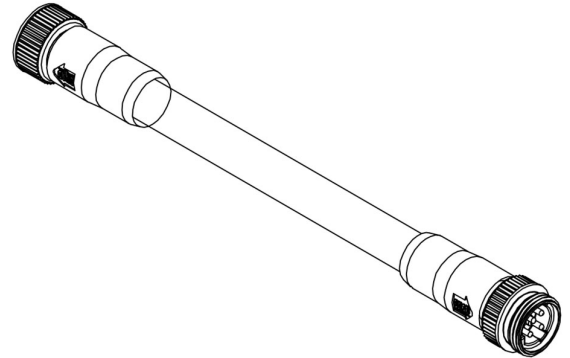
Product Description : BradPower A-Size (7/8"-M22) Double-Ended Cordset, 4 Poles, Tri-Key, Male (Straight) to Female (Straight), 14 AWG, Black TPE Cable, 10.0m (32.81') Length

Series Number : 130062

Status : Active

Product Category : Circular Industrial Cordsets

Engineering Number : 114130K21M100



Documents & Resources

Drawings

[1300620284_sd.pdf](#)

Product Environment Compliance

Compliance

GADSL/IMDS	Not Relevant
China RoHS	Not Relevant
EU ELV	Not Reviewed per 2000/53/EC
Low-Halogen Status	Not Relevant
REACH SVHC	Contains Lead; diphenyl(2,4,6-trimethylbenzoyl)phosphine oxide per D(2023)3788-DC (14 Jun 2023)
EU RoHS	Compliant with Exemption 6(c) per EU 2015/863

Multiple Part Product Compliance Statements

- Eu RoHS
- REACH SVHC
- Low-Halogen

Multiple Part Industry Compliance Documents

- IPC 1752A Class C
- IPC 1752A Class D
- Molex Product Compliance Declaration

- IEC-62474

- chemSHERPA (xml)

EU RoHS Certificate of Compliance

Part Details

General

Status	Active
Category	Circular Industrial Cordsets
Series	130062
Description	BradPower A-Size (7/8"-M22) Double-Ended Cordset, 4 Poles, Tri-Key, Male (Straight) to Female (Straight), 14 AWG, Black TPE Cable, 10.0m (32.81') Length
IP Rating	IP67
Product Name	BradPower A-Size
Protocol	FF
Type	Double Ended
UPC	78172546649

Agency

UL	E258922
----	---------

Electrical

Current - Maximum per Contact	15.0A
Voltage - Maximum	600V

Physical

Cable Diameter	9.47mm (.373")
Cable Length	10.0m (32.81')
Color - Cable Jacket	Black
Connector End A	BradPower A-Size (7/8"-M22)
Connector End B	BradPower A-Size (7/8"-M22)
Coupling Style	Threaded
Gender	Female-Male
Keyway	Tri-Key

LED Indicator	No
Material - Cable Jacket	TPE
Material - Connector Body	TPE
Material - Contact	Copper Alloy
Material - Coupling Nut	Black Epoxy Coated Zinc
Material - Plating Mating	Gold
Net Weight	1215.000/g
Orientation	Straight to Straight
Poles	4
Temperature Range - Operating	-20° to +90°C
Wire/Cable Type	TC-ER
Wire Size (AWG)	14

This document was generated on Feb 13, 2025