



The worldwide leader in thermal management solutions.

[News](#) [About Us](#) [Contact Us](#) [Global Manufacturing](#) [Shop Aavid](#)

[Products](#)

[Solutions](#)

[Industries](#)

[Submit Query](#)

[Register or Sign Into Your Account](#)

[Cart](#)

[Knowledge Center](#)

[Design Help](#)

7142DG

TO-220, TO-220-single gauge (0.020")



QTY IN STOCK: 5,100

ENTER QTY:

[VIEW PRICE](#)

Slide on Narrow channel heat sink with integrated clip

This non-electronic component is functionally unaffected by the normal soldering or reflow processes used for semiconductor circuits. The heat resistance time or heat resistance temperature is not applicable for the component.

- Height:** 21.34
- Mount Orientation:** Horizontal
- Finish:** Tin Plated
- RoHS:** compliant
- [Download PCN](#)

Thermal Resistance: 20.30

Need assistance?

Call us: 1-855-32-AAVID
Email: estore@aavid.com

[» Help Page](#)

Check Distributor Stock

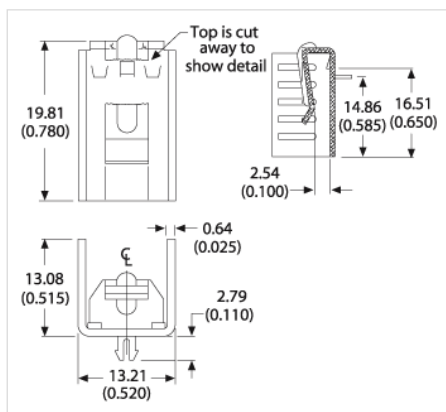
Enter a part number for pricing and availability.

Learn More

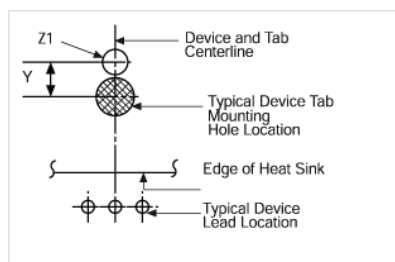
- [» Request a Sample](#)
- [» Request a Quote](#)
- [» Ask an Engineer](#)

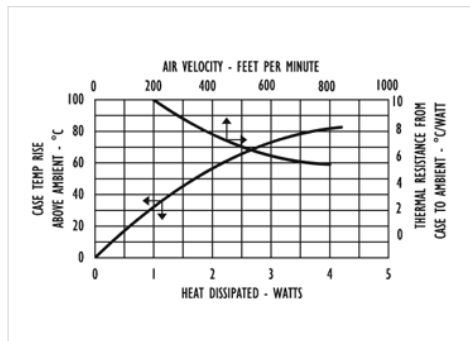
The Fine Print

- [Product Return Policy](#)
- [Terms & Conditions](#)
- [Privacy Policy](#)



Y Dim: 1.40 (0.055) | Z Dim: 3.18 (0.125)





Customer Assistance

- Contact Us
- Get Design Assistance
- Find a Distributor
- Find a Sales Rep
- Request a Quote
- Placing an Order
- Terms and Conditions
- Returns

Popular Products

- Fans
- Extrusions
- Board Level
- Liquid Cooling
- Heat Pipe Technology
- Heat Sink Accessories
- Interface Materials

Our Company

- News and Events
- Management Team
- Worldwide Locations
- Directions to Headquarters
- Disclaimer
- Customer Survey
- Privacy Policy

Connect with Aavid

Sign up for Aavid News & Alerts

Like / Follow / Connect



© Copyright 2013 Aavid Thermalloy, LLC.

USA: 1.855.32.AAVID Europe: 39.051.764002 Asia: 86.21.6115.2000 x 8122