

Data Sheet | Item Number: 713-1425/117-000

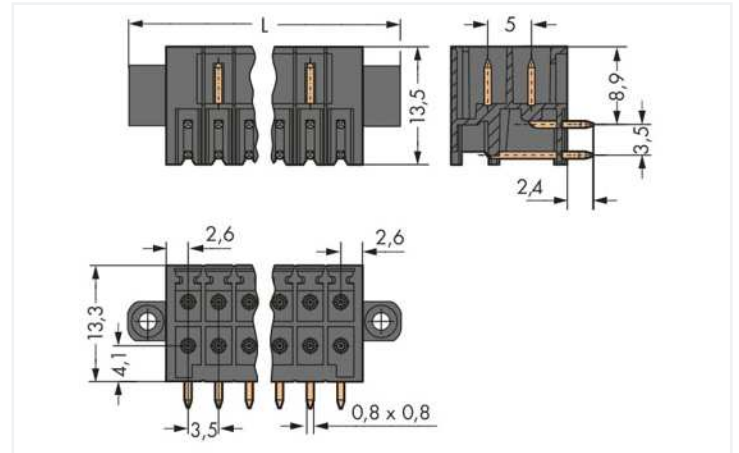
THR male header, 2-row; 0.8 x 0.8 mm solder pin; angled; 100% protected against mismatching; Threaded flange; Pin spacing 3.5 mm; 10-pole; black

<https://www.wago.com/713-1425/117-000>



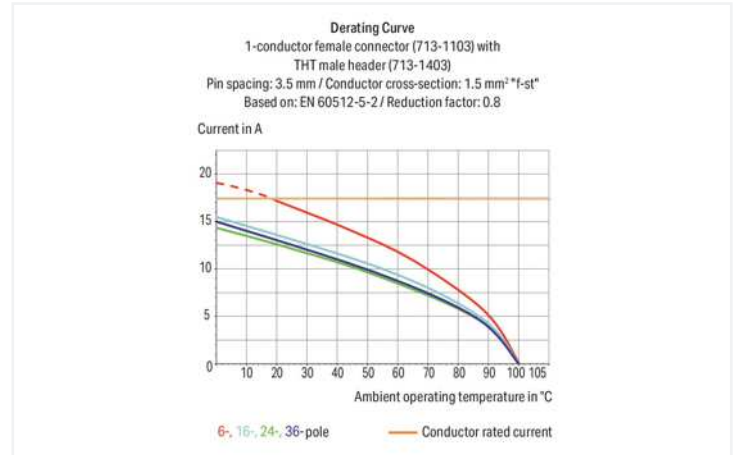
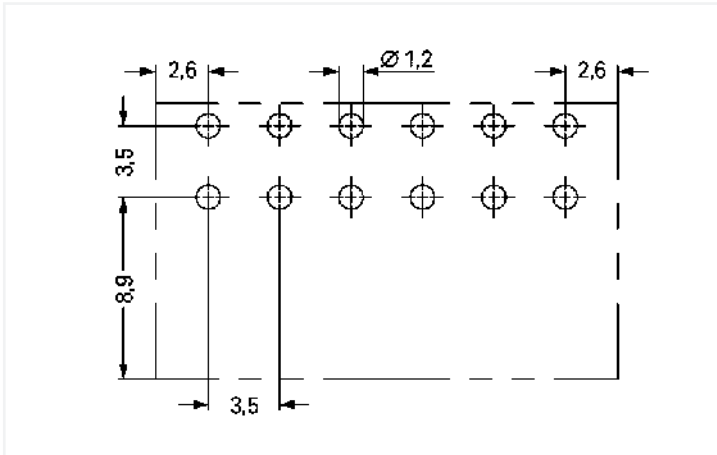
Color: ■ black

Similar to illustration



Dimensions in mm

$L = [(pole\ no./2) - 1] \times pin\ spacing + 13.6\ mm$



- THR male headers for reflow soldering in SMT applications
- Available in tape-and-reel packaging for automated pick-and-place PCB assembly
- Separated pin slots prevent damage and make the headers touch-proof when unplugged
- 100% protected against mismatching
- Coding option available

Notes

Safety information

The MCS – MULTI CONNECTION SYSTEM includes connectors without breaking capacity in accordance with DIN EN 61984. When used as intended, these connectors must not be connected/disconnected when live or under load. When used as intended, these connectors must not be connected/disconnected when live or under load. The circuit design should ensure header pins, which can be touched, are not live when unmated.

Variants:

Other pole numbers
Other solder pin lengths
Gold-plated or partially gold-plated contact surfaces
Other versions (or variants) can be requested from WAGO Sales or configured at <https://configurator.wago.com/>.

Electrical data

Ratings per	IEC/EN 60664-1		
Overvoltage category	III	III	II
Pollution degree	3	2	2
Nominal voltage	80 V	160 V	250 V
Rated surge voltage	2.5 kV	2.5 kV	2.5 kV
Rated current	10 A	10 A	10 A

Approvals per	UL 1059		
Use group	B	C	D
Rated voltage	150 V	50 V	-
Rated current	10 A	10 A	-

Approvals per	CSA		
Use group	B	C	D
Rated voltage	150 V	-	-
Rated current	12 A	-	-

Connection data

Total number of potentials	10
Number of connection types	1
Number of levels	2

Connection 1

Pole number	10
-------------	----

Physical data

Pin spacing	3.5 mm / 0.138 inches
Width	27.6 mm / 1.087 inches
Height	15.7 mm / 0.618 inches
Height from the surface	13.3 mm / 0.524 inches
Depth	13.5 mm / 0.531 inches
Solder pin length	2.4 mm
Solder pin dimensions	0.8 x 0.8 mm
Plated through-hole diameter (THR)	1.3 ^(±0.1) mm

Mechanical data

Variable coding	Yes
Anti-rotation protection	Yes

Plug-in connection

Contact type (pluggable connector)	Male connector/plug
Connector (connection type)	for PCB
Mismating protection	Yes
Mating direction to the PCB	0°
Locking of plug-in connection	Threaded flange

PCB contact

PCB contact	THR
Solder pin arrangement	over the entire male connector (in-line)
Number of solder pins per potential	1

Material data

Note (material data)	Information on material specifications can be found here
Color	black
Material group	I
Insulation material	Polyphthalamide (PPA GF)
Flammability class per UL94	V0
Contact material	Electrolytic copper (E _{Cu})
Contact plating	Tin
Fire load	0.067 MJ
Weight	3.5 g
MSL per J-STD 020D	1

Environmental requirements

Limit temperature range	-60 ... +100 °C
Processing temperature	-35 ... +60 °C

Commercial data

Product Group	3 (Multi Conn. System)
eCl@ss 10.0	27-44-04-02
eCl@ss 9.0	27-44-04-02
ETIM 8.0	EC002637
ETIM 7.0	EC002637
PU (SPU)	25 pcs
Packaging type	Box
Country of origin	PL
GTIN	4050821156581
Customs tariff number	85366930000

Environmental Product Compliance

CAS-No.	7439-92-1
REACH Candidate List Substance	Lead
RoHS Compliance Status	Compliant,With Exemption
RoHS Exemption	6(c) 7(a) 7(c)-I 7(c)-II
SCIP notification number (Austria)	ee2df8b1-9ca2-4c2a-b609-cc26edd9b0c1
SCIP notification number (Belgium)	0d4fa04d-3dcd-4036-a6cf-efd416d02acf
SCIP notification number (Bulgaria)	58c37f20-29e0-48a4-a3cc-fcc26a5e64ef
SCIP notification number (Czech Republic)	7370b97d-8412-4d3d-8742-cfd08d483545
SCIP notification number (Denmark)	3139f72b-1004-4496-8924-2e223789709a
SCIP notification number (Finland)	e7437ef3-6978-4c36-9ca5-f73f5faa584c
SCIP notification number (France)	401c24e4-d281-4090-ba3a-19aa3f3ec716
SCIP notification number (Germany)	ef2020d3-9a80-462a-99ef-9cb85b7648e3
SCIP notification number (Hungary)	876f8083-faca-4b43-afdf-fd2b3acfe26e
SCIP notification number (Italy)	65216ceb-7d4f-4e1f-8775-5e53ce6c5904
SCIP notification number (Netherlands)	efe45b34-1878-4128-8541-bf9a712bed13
SCIP notification number (Poland)	5a00225f-694c-4003-a5c5-40bae2c038f1
SCIP notification number (Romania)	a523d1ef-94c8-4ad0-8761-ade564ac73e1
SCIP notification number (Sweden)	bc927cd1-f6f0-4260-85b0-e3c73cb8167c

Approvals / Certificates

General approvals



Approval	Standard	Certificate Name
UR Underwriters Laboratories Inc.	UL 1059	E45172

Downloads

Environmental Product Compliance

Compliance Search
Environmental Product Compliance 713-1425/117-000

Documentation

Additional Information			
Technical Section	03.04.2019	pdf 1949.09 KB	
		pdf 535.32 KB	

CAD/CAE-Data

CAD data
2D/3D Models 713-1425/117-000

CAE data
ZUKEN Portal 713-1425/117-000

1 Compatible Products

1.1 System counterpart

1.1.1 Female connector/socket



Item No.: 713-1105/107-000
 1-conductor female connector, 2-row; CA-GE CLAMP®; 1.5 mm²; Pin spacing 3.5 mm; 10-pole; 100% protected against mismatching; Screw flange; 1,50 mm²; black

1.2 Optional Accessories

1.2.1 Coding

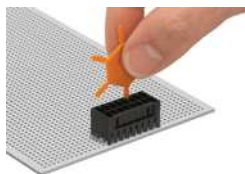
1.2.1.1 Coding



Item No.: 714-101
Coding key; orange

Installation Notes

Coding



Coding a male header by inserting a coding pin.