

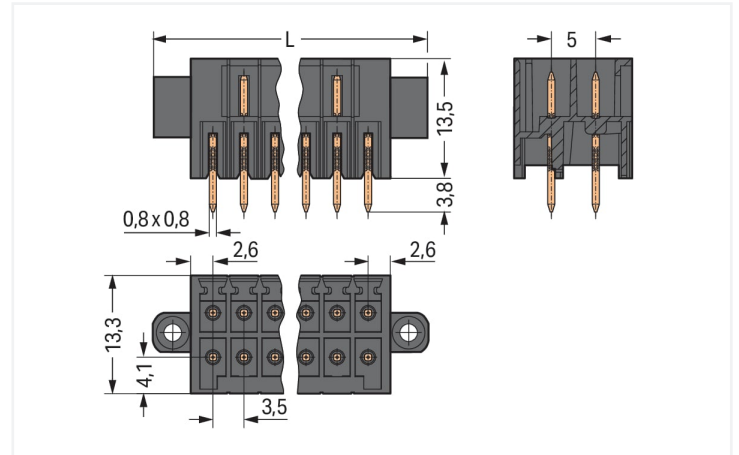
Data Sheet | Item Number: 713-1408/107-000

THT male header, 2-row; 0.8 x 0.8 mm solder pin; straight; 100% protected against mismatching; Threaded flange; Pin spacing 3.5 mm; 16-pole; black

<https://www.wago.com/713-1408/107-000>

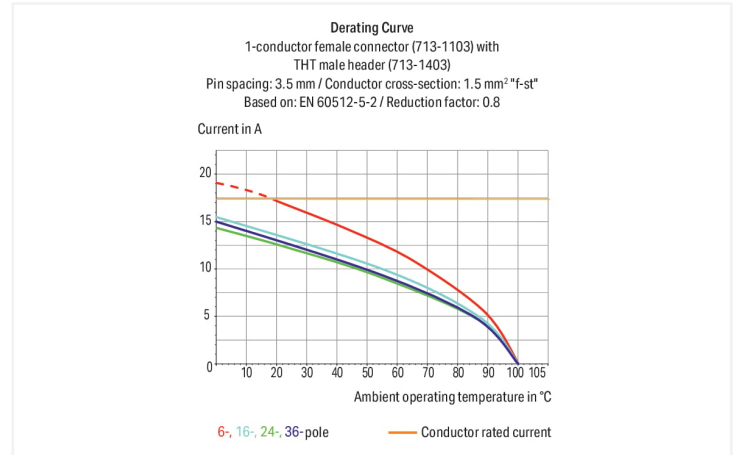
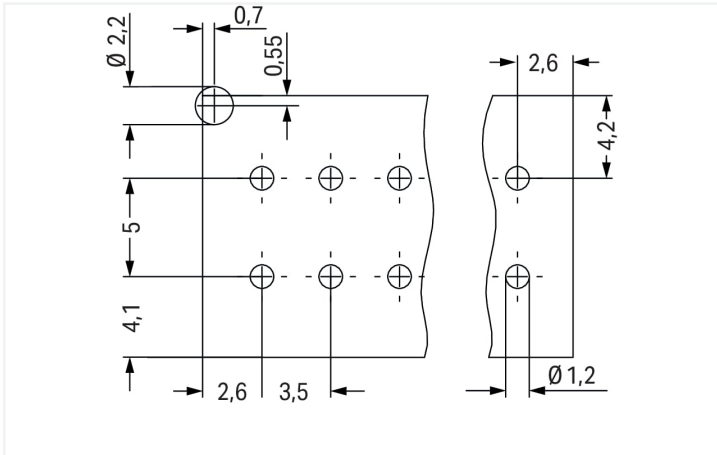


Color: ■ black



Dimensions in mm

$L = [(pole\ no./2) - 1] \times pin\ spacing + 13.6\ mm$



- Male headers may be mounted horizontally or vertically via straight or angled solder pins
- Header housing is molded of THT-compatible insulation material for lead-free reflow soldering
- Separated pin slots prevent damage and make the headers touch-proof when unplugged
- 100% protected against mismatching
- Coding option available

Notes

Safety Information

The MCS – MULTI CONNECTION SYSTEM includes connectors without breaking capacity in accordance with DIN EN 61984. When used as intended, these connectors must not be connected/disconnected when live or under load. When used as intended, these connectors must not be connected/disconnected when live or under load. The circuit design should ensure header pins, which can be touched, are not live when unmated.

Variants:

Other pole numbers
Other solder pin lengths
Gold-plated or partially gold-plated contact surfaces
Other versions (or variants) can be requested from WAGO Sales or configured at <https://configurator.wago.com/>.

Electrical data

Ratings per	IEC/EN 60664-1		
Overvoltage category	III	III	II
Pollution degree	3	2	2
Nominal voltage	80 V	160 V	250 V
Rated surge voltage	2.5 kV	2.5 kV	2.5 kV
Rated current	10 A	10 A	10 A

Approvals per	UL 1059		
Use group	B	C	D
Rated voltage	150 V	50 V	-
Rated current	10 A	10 A	-

Approvals per	CSA		
Use group	B	C	D
Rated voltage	150 V	-	-
Rated current	12 A	-	-

Connection data

Total number of potentials	16
Number of connection types	1
Number of levels	2

Connection 1	
Pole number	16

Physical data

Pin spacing	3.5 mm / 0.138 inches
Width	38.1 mm / 1.5 inches
Height	17.3 mm / 0.681 inches
Height from the surface	13.5 mm / 0.531 inches
Depth	13.3 mm / 0.524 inches
Solder pin length	3.8 mm
Solder pin dimensions	0.8 x 0.8 mm
Drilled hole diameter with tolerance	1.2 ^(+0.1) mm

Mechanical data

Variable coding	Yes
Anti-rotation protection	Yes

Plug-in connection

Contact type (pluggable connector)	Male connector/plug
Connector (connection type)	for PCB
Mismating protection	Yes
Mating direction to the PCB	90 °
Locking of plug-in connection	Threaded flange

PCB contact

PCB contact	THT
Solder pin arrangement	over the entire male connector (in-line)
Number of solder pins per potential	1

Material data

Note (material data)	Information on material specifications can be found here
Color	black
Material group	I
Insulation material (main housing)	Polyphthalamide (PPA GF)
Flammability class per UL94	V0
Contact material	Electrolytic copper (E _{cu})
Contact Plating	Tin
Fire load	0.096 MJ
Weight	4.9 g

Environmental requirements

Limit temperature range	-60 ... +100 °C
Processing temperature	-35 ... +60 °C

Commercial data

Product Group	3 (Multi Conn. System)
eCl@ss 10.0	27-44-04-02
eCl@ss 9.0	27-44-04-02
ETIM 9.0	EC002637
ETIM 8.0	EC002637
PU (SPU)	25 pcs
Packaging type	Box
Country of origin	PL
GTIN	4045454808976
Customs tariff number	85366930000

Environmental Product Compliance

CAS-No.	7439-92-1
REACH Candidate List Substance	Lead
RoHS Compliance Status	Compliant,With Exemption
RoHS Exemption	6(c)
SCIP notification number (Austria)	12de72ff-e1cc-47fe-ae47-95f8ac910322
SCIP notification number (Belgium)	ed85781f-759a-4764-ac39-2b58ee92b6cb
SCIP notification number (Bulgaria)	b877e33e-d610-4197-933d-420f7ed126cc
SCIP notification number (Czech Republic)	125d0332-8bf3-4c71-8822-8abb1215fb97
SCIP notification number (Denmark)	893201e8-dee8-453d-b9f7-b5d8a7e08bb5
SCIP notification number (Finland)	ed394bf7-93b4-41ca-8651-7054c1b46525
SCIP notification number (France)	43f43f3b-829e-45f4-81f0-6dd238914cde
SCIP notification number (Germany)	24badda6-60f9-4491-8cc5-4c70a314d873
SCIP notification number (Hungary)	a1d949ab-14e4-404d-bec2-fee6510ff47
SCIP notification number (Italy)	1cbc0d67-cb50-463e-8fc9-44d161618c24
SCIP notification number (Netherlands)	2bc52602-8fdd-406b-bf7a-bbf8c6510326
SCIP notification number (Poland)	4ad5d5eb-03ce-4b76-852b-f12f1b537a68
SCIP notification number (Romania)	a9ffa145-32de-425e-833d-9e0702665b9a
SCIP notification number (Sweden)	5e0540a3-4465-409e-91d2-e05177be137e

Approvals / Certificates

General approvals



Approval	Standard	Certificate Name
CB DEKRA Certification B.V.	IEC 61984	NL-102427
CSA CSA Group	C22.2	2315087
KEMA/KEUR DEKRA Certification B.V.	EN 61984	71-133740
UL Underwriters Laboratories Inc.	UL 1059	UL-US-L45172-6187124-22905991-1

Downloads

Environmental Product Compliance

Compliance Search	
Environmental Product Compliance 713-1408/107-000	↓

Documentation

Additional Information			
Technical Section	03.04.2019	pdf 2027.26 KB	↓

CAD/CAE-Data

CAD data	
2D/3D Models 713-1408/107-000	↓

CAE data	
ZUKEN Portal 713-1408/107-000	↓

PCB Design

Symbol and Footprint via SamacSys 713-1408/107-000	↓
Symbol and Footprint via Ultra Librarian 713-1408/107-000	↓

1 Compatible Products

1.1 System counterpart

1.1.1 Female connector/socket



Item No.: 713-1108/107-000

1-conductor female connector, 2-row; CAGE CLAMP®; 1.5 mm²; Pin spacing 3.5 mm; 16-pole; 100% protected against mismatching; Screw flange; 1,50 mm²; black



Item No.: 713-1108/107-047

1-conductor female connector, 2-row; CAGE CLAMP®; 1.5 mm²; Pin spacing 3.5 mm; 16-pole; 100% protected against mismatching; Screw flange; direct marking; 1,50 mm²; black



Item No.: 713-1108/107-9037

1-conductor female connector, 2-row; CAGE CLAMP®; 1.5 mm²; Pin spacing 3.5 mm; 16-pole; 100% protected against mismatching; Screw flange; direct marking; 1,50 mm²; black



Item No.: 713-1108/107-047/033-000

1-conductor female connector, 2-row; CAGE CLAMP®; 1.5 mm²; Pin spacing 3.5 mm; 16-pole; 100% protected against mismatching; Screw flange; Strain relief plate; direct marking; 1,50 mm²; black



Item No.: 713-1108/107-9037/033-000

1-conductor female connector, 2-row; CAGE CLAMP®; 1.5 mm²; Pin spacing 3.5 mm; 16-pole; 100% protected against mismatching; Screw flange; Strain relief plate; direct marking; 1,50 mm²; black

1.2 Optional Accessories

1.2.1 Coding

1.2.1.1 Coding

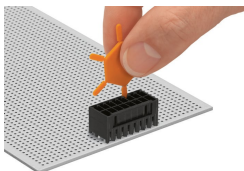


Item No.: 714-101

Coding key; orange

Installation Notes

Coding



Coding a male header by inserting a coding pin.