

Data Sheet | Item Number: 713-1403/107-000

THT male header, 2-row; 0.8 x 0.8 mm solder pin; straight; 100% protected against mismatching; Threaded flange; Pin spacing 3.5 mm; 6-pole; black

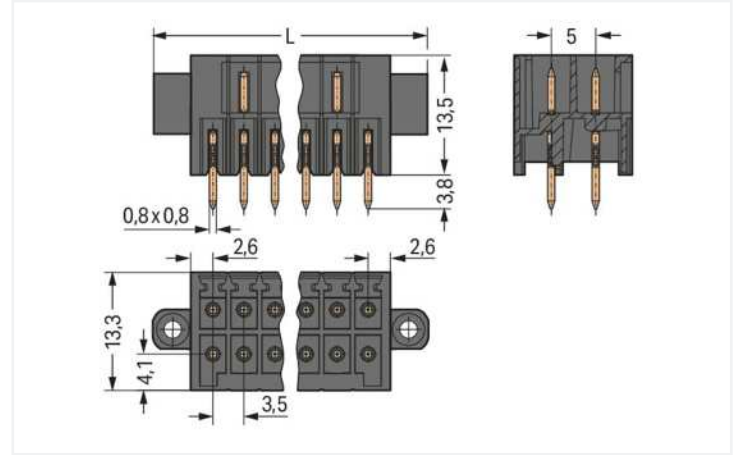


<https://www.wago.com/713-1403/107-000>



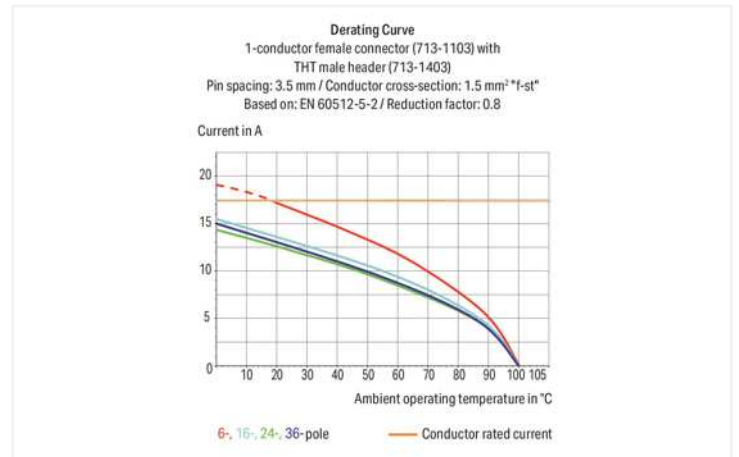
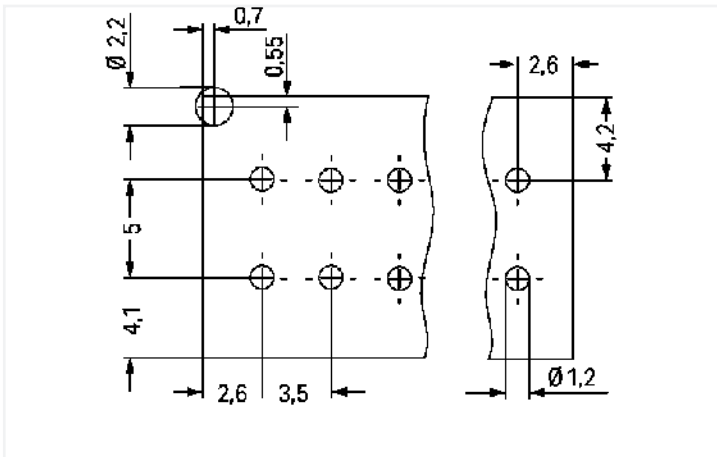
Color: ■ black

Similar to illustration



Dimensions in mm

$L = [(pole\ no./2) - 1] \times pin\ spacing + 13.6\ mm$



- Male headers may be mounted horizontally or vertically via straight or angled solder pins
- Header housing is molded of THT-compatible insulation material for lead-free reflow soldering
- Separated pin slots prevent damage and make the headers touch-proof when unplugged
- 100% protected against mismatching
- Coding option available

Notes

Safety information

The MCS – MULTI CONNECTION SYSTEM includes connectors without breaking capacity in accordance with DIN EN 61984. When used as intended, these connectors must not be connected/disconnected when live or under load. When used as intended, these connectors must not be connected/disconnected when live or under load. The circuit design should ensure header pins, which can be touched, are not live when unmated.

Variants:

Other pole numbers
Other solder pin lengths
Gold-plated or partially gold-plated contact surfaces
Other versions (or variants) can be requested from WAGO Sales or configured at <https://configurator.wago.com/>.

Electrical data

Ratings per	IEC/EN 60664-1		
Overvoltage category	III	III	II
Pollution degree	3	2	2
Nominal voltage	80 V	160 V	250 V
Rated surge voltage	2.5 kV	2.5 kV	2.5 kV
Rated current	10 A	10 A	10 A

Approvals per	UL 1059		
Use group	B	C	D
Rated voltage	150 V	50 V	-
Rated current	10 A	10 A	-

Approvals per	CSA		
Use group	B	C	D
Rated voltage	150 V	-	-
Rated current	12 A	-	-

Connection data

Total number of potentials	6
Number of connection types	1
Number of levels	2

Connection 1

Pole number	6
-------------	---

Physical data

Pin spacing	3.5 mm / 0.138 inches
Width	20.6 mm / 0.811 inches
Height	17.3 mm / 0.681 inches
Height from the surface	13.5 mm / 0.531 inches
Depth	13.3 mm / 0.524 inches
Solder pin length	3.8 mm
Solder pin dimensions	0.8 x 0.8 mm
Drilled hole diameter with tolerance	1.2 ^(+0.1) mm

Mechanical data

Variable coding	Yes
Anti-rotation protection	Yes

Plug-in connection

Contact type (pluggable connector)	Male connector/plug
Connector (connection type)	for PCB
Mismating protection	Yes
Mating direction to the PCB	90 °
Locking of plug-in connection	Threaded flange

PCB contact

PCB contact	THT
Solder pin arrangement	over the entire male connector (in-line)
Number of solder pins per potential	1

Material data

Note (material data)	Information on material specifications can be found here
Color	black
Material group	I
Insulation material	Polyphthalamide (PPA GF)
Flammability class per UL94	V0
Contact material	Electrolytic copper (E _{Cu})
Contact plating	Tin
Fire load	0.047 MJ
Weight	2.4 g

Environmental requirements

Limit temperature range	-60 ... +100 °C
Processing temperature	-35 ... +60 °C

Commercial data

Product Group	3 (Multi Conn. System)
eCl@ss 10.0	27-44-04-02
eCl@ss 9.0	27-44-04-02
ETIM 8.0	EC002637
ETIM 7.0	EC002637
PU (SPU)	50 pcs
Packaging type	Box
Country of origin	PL
GTIN	4045454808914
Customs tariff number	85366930000

Environmental Product Compliance

CAS-No.	7439-92-1
REACH Candidate List Substance	Lead
RoHS Compliance Status	Compliant,With Exemption
RoHS Exemption	6(c) 7(a) 7(c)-I 7(c)-II
SCIP notification number (Austria)	b4177712-7da5-42b7-acae-ab1d094b7e8a
SCIP notification number (Belgium)	12b369d8-8839-47f8-8186-3c9c1f1864a0
SCIP notification number (Bulgaria)	ddc91fd7-9116-4962-9070-e5a623f2a9ca
SCIP notification number (Czech Republic)	7b04e0ce-71ae-4c36-b6ae-939d9e240649
SCIP notification number (Denmark)	f1b781a2-c068-4a5d-ada6-ae8f479b459d
SCIP notification number (Finland)	8f1fa68f-4a04-4035-99b4-44496677ff9b
SCIP notification number (France)	3c1d4910-5d4c-4d81-96d5-68836eb10bab
SCIP notification number (Germany)	859c054c-e291-429e-8508-963e20db1533
SCIP notification number (Hungary)	89e6267f-86bd-4403-8128-ec4102998dbc
SCIP notification number (Italy)	9cc070db-42b3-4365-9f4d-f45dc76e4dcd
SCIP notification number (Netherlands)	5e4628a7-4ab6-4c07-8de7-abb0fc44472
SCIP notification number (Poland)	872233fc-e807-40fa-8288-a006329df998
SCIP notification number (Romania)	996bf373-7213-4492-8f97-52a733786d09
SCIP notification number (Sweden)	39d63b12-e3ac-4646-ad43-a50a3f24ed28

Approvals / Certificates

General approvals



Approval	Standard	Certificate Name
CCA DEKRA Certification B.V.	EN 61984	2169947.01
CCA DEKRA Certification B.V.	IEC 61984	NL-30980
CSA DEKRA Certification B.V.	C22.2	2315087
UR Underwriters Laboratories Inc.	UL 1059	E45172

Downloads

Environmental Product Compliance

Compliance Search
Environmental Product Compliance 713-1403/107-000

Documentation

Additional Information
Technical Section 03.04.2019 pdf 1949.09 KB

CAD/CAE-Data

CAD data
2D/3D Models 713-1403/107-000

CAE data
ZUKEN Portal 713-1403/107-000

1 Compatible Products

1.1 System counterpart

1.1.1 Female connector/socket



Item No.: 713-1103/107-000
1-conductor female connector, 2-row; CAGE CLAMP®; 1.5 mm²; Pin spacing 3.5 mm; 6-pole; 100% protected against mis-mating; Screw flange; 1,50 mm²; black



Item No.: 713-1103/107-047
1-conductor female connector, 2-row; CAGE CLAMP®; 1.5 mm²; Pin spacing 3.5 mm; 6-pole; 100% protected against mis-mating; Screw flange; direct marking; 1,50 mm²; black



Item No.: 713-1103/107-9037
1-conductor female connector, 2-row; CAGE CLAMP®; 1.5 mm²; Pin spacing 3.5 mm; 6-pole; 100% protected against mis-mating; Screw flange; direct marking; 1,50 mm²; black



Item No.: 713-1103/107-047/032-000
1-conductor female connector, 2-row; CAGE CLAMP®; 1.5 mm²; Pin spacing 3.5 mm; 6-pole; 100% protected against mis-mating; Screw flange; Strain relief plate; direct marking; 1,50 mm²; black

1.1.1 Female connector/socket



Item No.: [713-1103/107-9037/032-000](#)

1-conductor female connector, 2-row; CA-GE CLAMP®; 1.5 mm²; Pin spacing 3.5 mm; 6-pole; 100% protected against mismatching; Screw flange; Strain relief plate; direct marking; 1,50 mm²; black

1.2 Optional Accessories

1.2.1 Coding

1.2.1.1 Coding

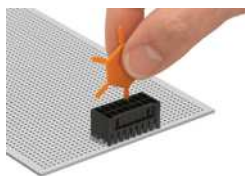


Item No.: [714-101](#)

Coding key; orange

Installation Notes

Coding



Coding a male header by inserting a coding pin.