

Shock-Safe Fuseholder, 10.3 x 38 mm, Fingergrip



600 VAC · 4.5 W / 25 A 25 A (UL/CSA)



Description

- Screw type fuse carrier

Standards

- UL 4248-1 / UL 512
- CSA C22.2 no. 39

Approvals

- UL File Number: E41738
- CSA File Number: 23151

Weblinks

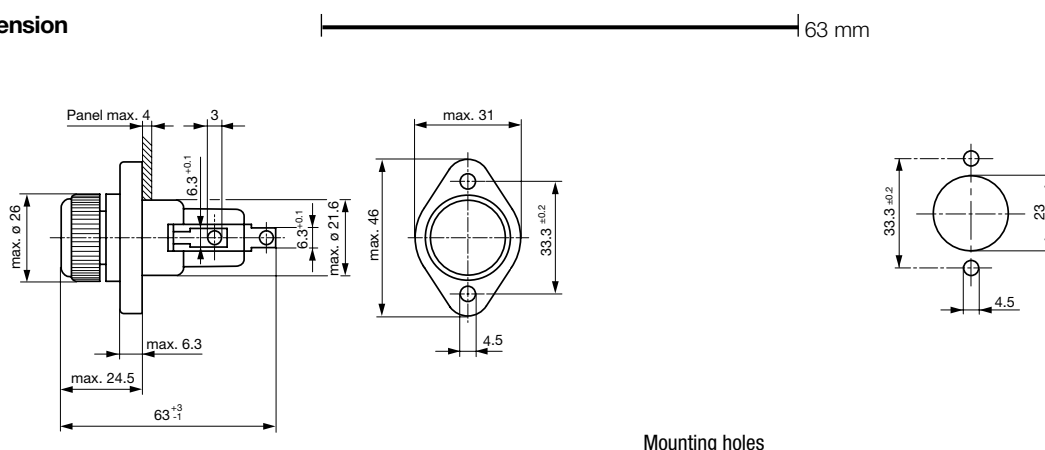
pdf-datasheet, html-datasheet, General Product Information, Approvals, CE declaration of conformity, RoHS, CHINA-RoHS, REACH, e-Shop, SCHURTER-Stock-Check, Distributor-Stock-Check, Detailed request for product

Technical Data

Fuse-Link	10.3 x 38 mm
Mounting	Panel Mount, Front Side
Terminal	Quick-Connect 6.3 x 0.8 mm
Rated Voltage	600 VAC
Rated current	25 A (UL/CSA)
Rated Power Acceptance IEC	4.5 W / 25 A @ Ta 23 °C
Degree of Protection	IP 40 / IP 67
Admissible Ambient Air Temp.	-40 °C to 85 °C
Climatic Category	40/085/21 acc. to IEC 60068-1
Material: Socket	Thermoset, black
Unit Weight	48 g
Storage Conditions	0 °C to 60 °C, max. 70% r.h.
Product Marking	Type, Rated voltage, Current

Soldering Methods	Iron
Panel Thickness s	max 4 mm

Dimension



Mounting holes

All Variants

Holder	Cap	Degree of Protection	Reference	Order Number
•	Fingergrip	IP 40	• • • 23530P	7093.2510
•	Fingergrip	IP 67	• 23530JJP	7093.2540

Most Popular.

Availability for all products can be searched real-time: <http://www.schurter.com/en/Stock-Check/Stock-Check-SCHURTER>

Packaging Unit Bulk (10 pcs.)
