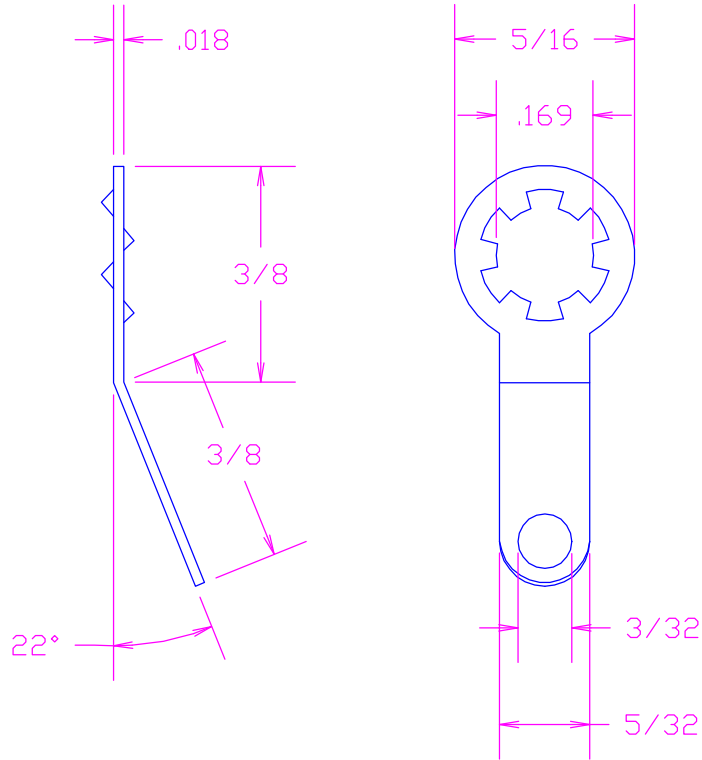
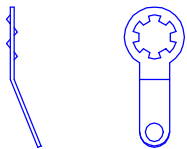


DATE	SYM	REVISION RECORD	AUTH.	DR.	CK.
3/11/96	-	ISSUED	JL	NT	JL



MATERIAL: BRASS
FINISH: ELECTRO-TIN

ACTUAL SIZE



TOLERANCES (EXCEPT AS NOTED)	CONCORD ELECTRONICS CORPORATION		
DECIMAL ± .005	P/N	SCALE 3:1	30 GREAT JONES ST. NEW YORK N.Y. 10012
FRACTIONAL ± 1/64	TITLE LOCKWASHER TERMINAL		
ANGULAR ± 2°	DATE 3-11-96	DRAWING NUMBER 707-1508	