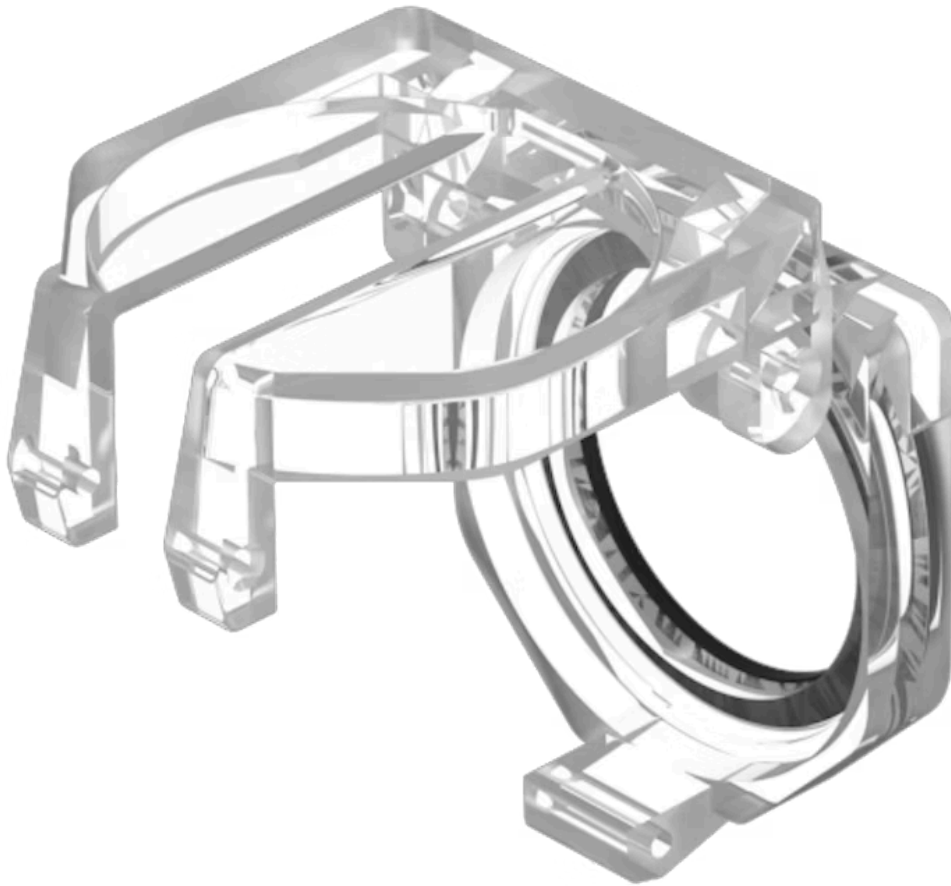


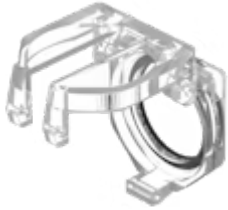
Protection cover

704.925.2



<https://eao.com/p/704.925.2>

Your product:



704.925.2 Protection cover

MECHANICAL CHARACTERISTIC

Weight: 0.007 kg

OTHER

Hints: Hinged, with means for sealing

Titel Accessory: Protection cover

Material: Plastic

Optics: transparent

Short Description: Protection cover, Plastic, transparent

Dimension drawings:

