

Actuator

704.206.500



<https://eao.com/p/704.206.500>

Your product:



704.206.500 Actuator

FRONT

Front bezel material:	Plastic
Front bezel colour:	Black
Front form:	square
Front dimension:	35 mm x 35 mm

MOUNTING

Mounting cut-out:	30 mm x 30 mm
Design:	flush

OPERATING-/INDICATION PART

Lens optics:	transparent
Lens shape:	flush
Marking plate illumination:	illuminative
Marking plate optics:	translucent
Lens material:	Plastic
Marking plate colour:	White
Lens colour:	Green

ELECTRICAL CHARACTERISTICS

Standards:	The switches comply with the "Standards for low-voltage switching devices" DIN EN 60947-1
-------------------	---

MECHANICAL CHARACTERISTIC

Terminal: Screw terminal

Weight: 0.061 kg

AMBIENT CONDITION

Storage temperature: - 40 °C ... + 85 °C

Operating temperature: - 40 °C ... + 55 °C

IP Protection: IP65 front side

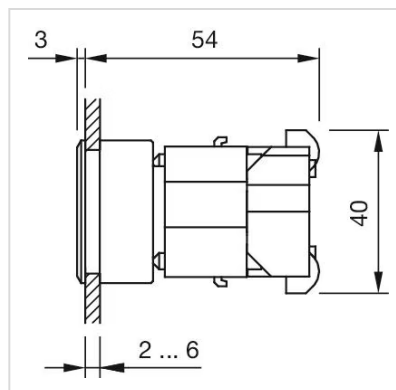
OTHER

Short Description: Actuator, 30 mm x 30 mm, 35 mm x 35 mm, flush, Green, Plastic, transparent, square, Black, Plastic, Screw terminal

Housing material: Plastic

Housing colour: Black

Dimension drawings:



Wiring diagrams:



Mounting cut-outs:

