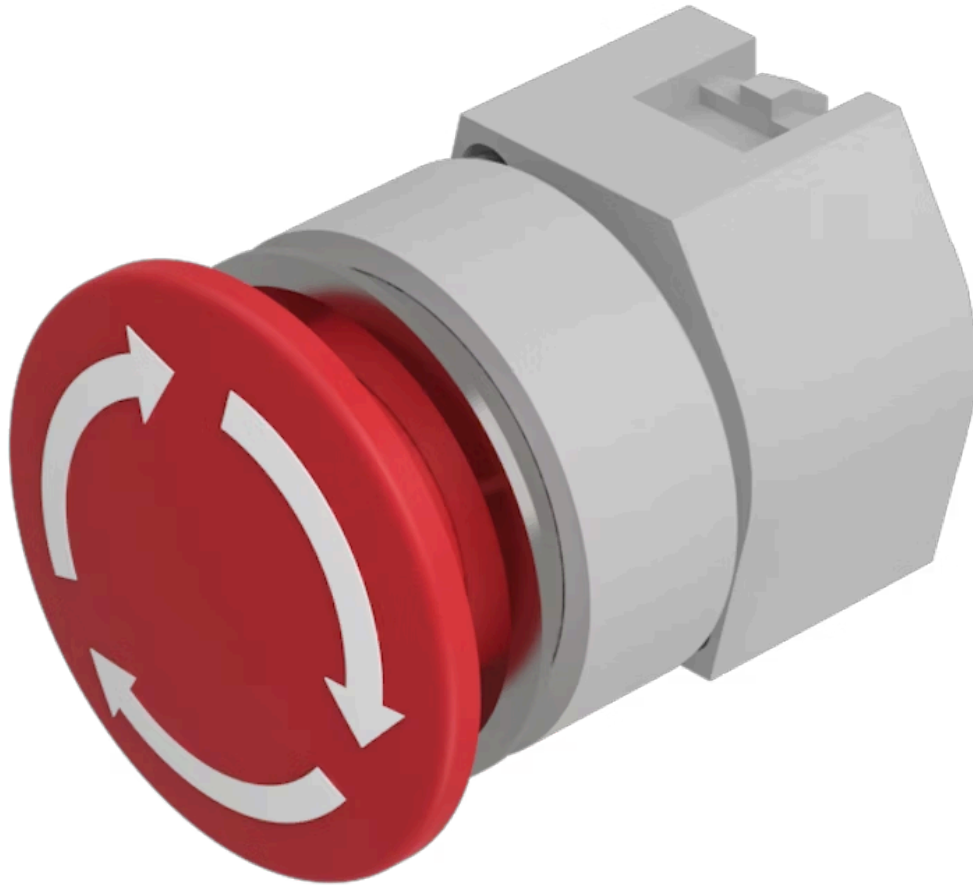


Actuator

704.075.218



<https://eao.com/p/704.075.218>

Your product:



704.075.218 Actuator

FRONT

Front bezel colour:	Nature
Front dimension:	Ø 40 mm
Front bezel material:	Aluminium

MOUNTING

Design:	flush
----------------	-------

OPERATING-/INDICATION PART

Lens illumination:	non illuminative
Lens shape:	mushroom-head
Lens material:	Plastic
Lens optics:	opaque
Lens colour:	Red

ELECTRICAL CHARACTERISTICS

Standards:	The switches comply with the "Standards for low-voltage switching devices" DIN EN 60947-1
-------------------	---

MECHANICAL CHARACTERISTIC

Operating Travel:	ca. 5.8 mm ± 0.2 mm
Switching action:	Maintained
Mechanical lifetime:	≤50 000 cycles of operation
Weight:	0.048 kg

Operating force: 8 N

AMBIENT CONDITION

Storage temperature: - 40 °C ... + 85 °C

IP Protection: IP65 front side

Operating temperature: - 40 °C ... + 55 °C

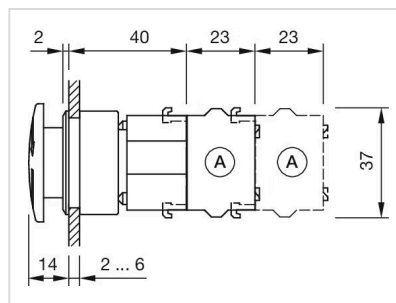
OTHER

max. number of switching elements: 3

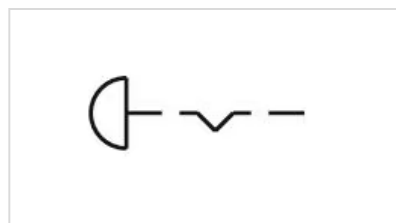
Short Description: Actuator, Ø 40 mm, mushroom-head, non illuminative, Red, Plastic, opaque, Nature, Aluminium, anodised, Maintained

Marking: Arrows

Dimension drawings:



Wiring diagrams:



Mounting cut-outs:

