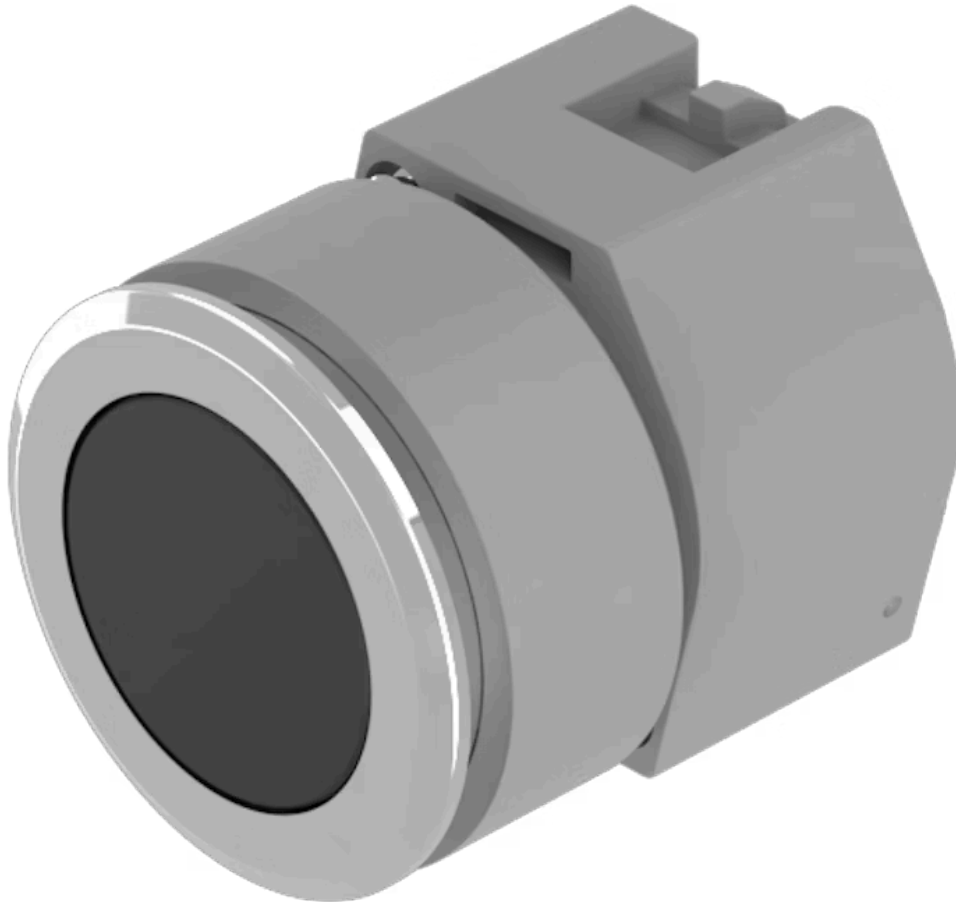


Actuator

704.012.018



<https://eao.com/p/704.012.018>

Your product:



704.012.018 Actuator

FRONT

Front dimension:	Ø 35 mm
Front form:	round
Front bezel colour:	Nature
Front bezel material:	Aluminium

MOUNTING

Design:	flush
----------------	-------

OPERATING-/INDICATION PART

Lens illumination:	non illuminative
Lens colour:	Black
Lens material:	Plastic
Lens shape:	flush
Lens optics:	opaque

ELECTRICAL CHARACTERISTICS

Standards:	The switches comply with the "Standards for low-voltage switching devices" DIN EN 60947-1
-------------------	---

MECHANICAL CHARACTERISTIC

Operating force:	8 N
Switching action:	Momentary
Weight:	0.051 kg

Operating Travel: ca. 5.8 mm ± 0.2 mm
Mechanical lifetime: ≤3 Mio. cycles of operation

AMBIENT CONDITION

Operating temperature: - 40 °C ... + 55 °C
IP Protection: IP65 front side
Storage temperature: - 40 °C ... + 85 °C

OTHER

max. number of switching elements: 3

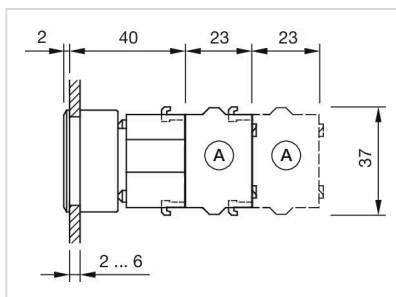
Hints: Max. 3 switching elements can be clipped on, The colour of anodised aluminium parts can vary due to technical production reasons

Housing colour: Grey

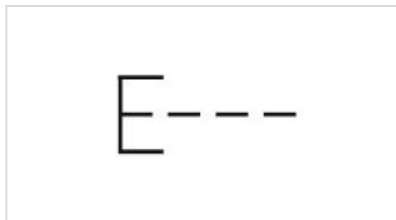
Housing material: Plastic

Short Description: Actuator, Ø 35 mm, flush, non illuminative, Black, Plastic, opaque, round, Nature, Aluminium, anodised, Momentary

Dimension drawings:



Wiring diagrams:



Mounting cut-outs:

