

Actuator

704.006.618



<https://eao.com/p/704.006.618>

Your product:



704.006.618 Actuator

FRONT

Front form:	round
Front bezel colour:	Nature
Front dimension:	Ø 35 mm
Front bezel material:	Aluminium

MOUNTING

Design:	flush
----------------	-------

OPERATING-/INDICATION PART

Marking plate illumination:	illuminative
Lens colour:	Blue
Lens optics:	transparent
Lens material:	Plastic
Lens shape:	flush

ELECTRICAL CHARACTERISTICS

Standards:	The switches comply with the "Standards for low-voltage switching devices" DIN EN 60947-1
-------------------	---

MECHANICAL CHARACTERISTIC

Terminal:	Screw terminal
Weight:	0.061 kg

AMBIENT CONDITION

Storage temperature: - 40 °C ... + 85 °C

Operating temperature: - 40 °C ... + 55 °C

IP Protection: IP65 front side

OTHER

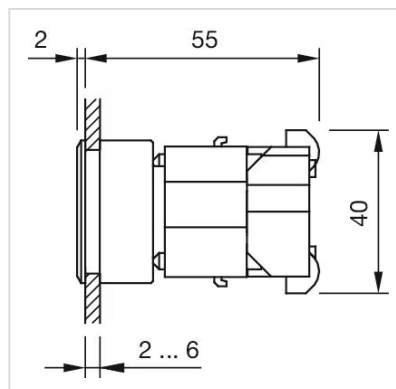
Housing material: Plastic

Housing colour: Grey

Short Description: Actuator, Ø 35 mm, flush, Blue, Plastic, transparent, round, Nature, Aluminium, anodised, Screw terminal

Hints: The colour of anodised aluminium parts can vary due to technical production reasons

Dimension drawings:



Wiring diagrams:



Mounting cut-outs:

