

Actuator

704.006.518



<https://eao.com/p/704.006.518>

Your product:



704.006.518 Actuator

FRONT

Front bezel material:	Aluminium
Front dimension:	Ø 35 mm
Front bezel colour:	Nature
Front form:	round

MOUNTING

Design:	flush
----------------	-------

OPERATING-/INDICATION PART

Lens optics:	transparent
Lens colour:	Green
Lens material:	Plastic
Lens shape:	flush
Marking plate illumination:	illuminative

ELECTRICAL CHARACTERISTICS

Standards:	The switches comply with the "Standards for low-voltage switching devices" DIN EN 60947-1
-------------------	---

MECHANICAL CHARACTERISTIC

Weight:	0.061 kg
Terminal:	Screw terminal

AMBIENT CONDITION

Storage temperature:	- 40 °C ... + 85 °C
IP Protection:	IP65 front side
Operating temperature:	- 40 °C ... + 55 °C

OTHER

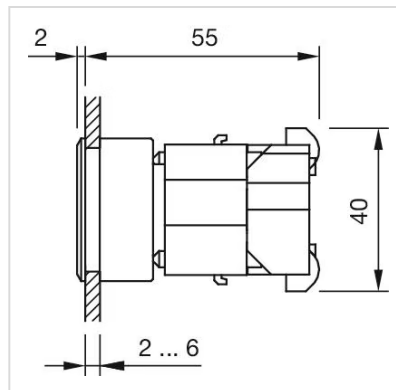
Housing colour: Grey

Hints: The colour of anodised aluminium parts can vary due to technical production reasons

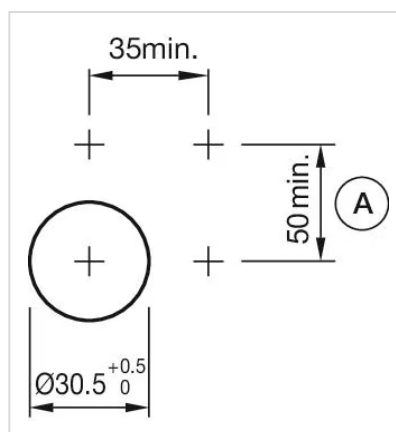
Short Description: Actuator, Ø 35 mm, flush, Green, Plastic, transparent, round, Nature, Aluminium, anodised, Screw terminal

Housing material: Plastic

Dimension drawings:

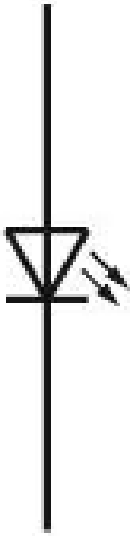


Mounting cut-outs:



Wiring diagrams:

x_2+



x_1-