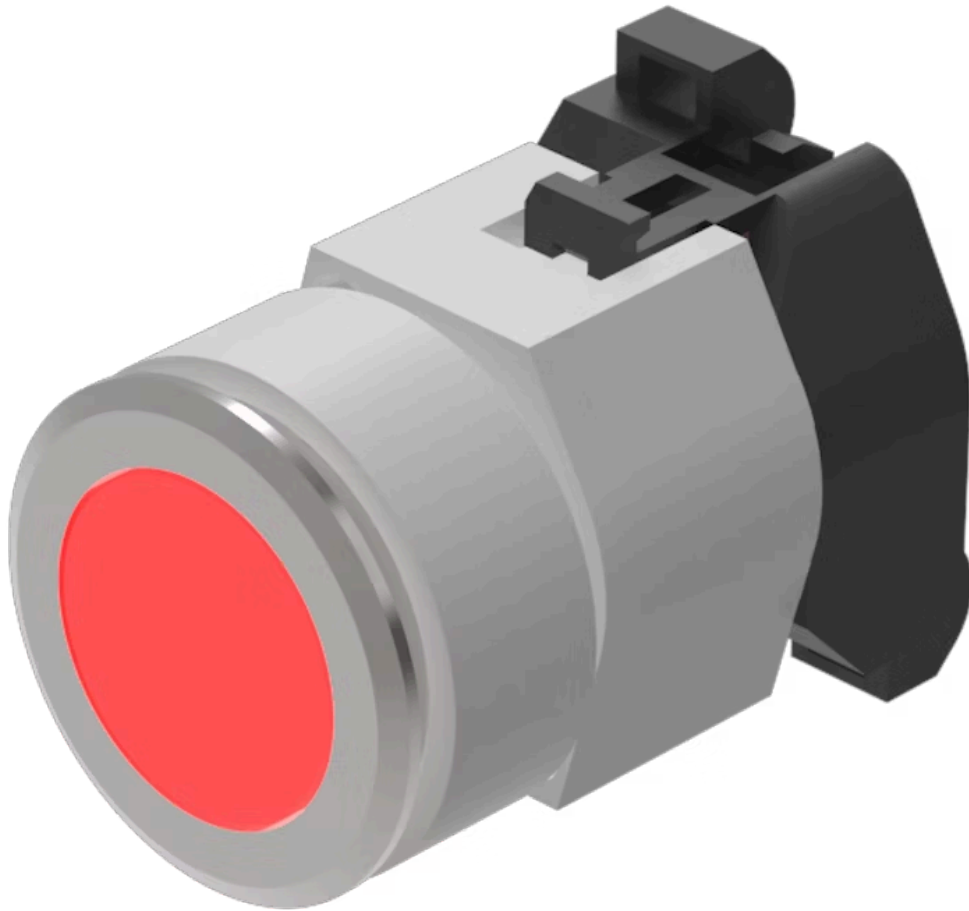


# Actuator

704.006.218



<https://eao.com/p/704.006.218>

Your product:

---



## 704.006.218 Actuator

### FRONT

<b>Front bezel colour:</b>	Nature
<b>Front dimension:</b>	Ø 35 mm
<b>Front bezel material:</b>	Aluminium
<b>Front form:</b>	round

### MOUNTING

<b>Design:</b>	flush
----------------	-------

### OPERATING-/INDICATION PART

<b>Marking plate illumination:</b>	illuminative
<b>Lens shape:</b>	flush
<b>Lens colour:</b>	Red
<b>Lens material:</b>	Plastic
<b>Lens optics:</b>	transparent

### ELECTRICAL CHARACTERISTICS

<b>Standards:</b>	The switches comply with the "Standards for low-voltage switching devices" DIN EN 60947-1
-------------------	---

### MECHANICAL CHARACTERISTIC

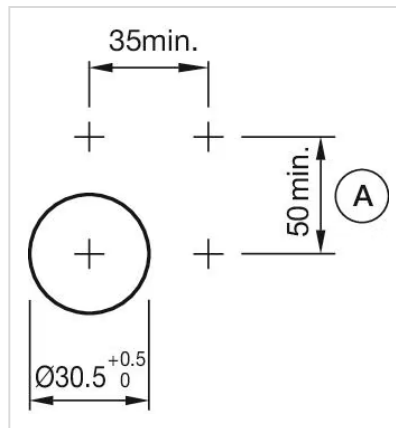
<b>Weight:</b>	0.061 kg
<b>Terminal:</b>	Screw terminal

## AMBIENT CONDITION

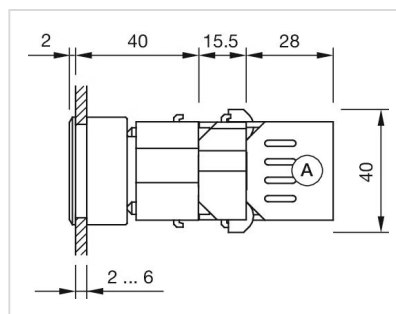
<b>IP Protection:</b>	IP65 front side
<b>Storage temperature:</b>	- 40 °C ... + 85 °C
<b>Operating temperature:</b>	- 40 °C ... + 55 °C

## OTHER

<b>Housing material:</b>	Plastic
<b>Short Description:</b>	Actuator, Ø 35 mm, flush, Red, Plastic, transparent, round, Nature, Aluminium, anodised, Screw terminal
<b>Housing colour:</b>	Grey
<b>Hints:</b>	The colour of anodised aluminium parts can vary due to technical production reasons
<b>Mounting cut-outs:</b>	

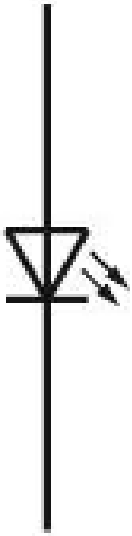


## Dimension drawings:



## Wiring diagrams:

$x_2+$



$x_1-$