

Actuator

704.000.2



<https://eao.com/p/704.000.2>

Your product:



704.000.2 Actuator

FRONT

Front form:	round
Front dimension:	Ø 29 mm

MOUNTING

Design:	raised
----------------	--------

OPERATING-/INDICATION PART

Lens cap optical effect:	transparent
Marking cap colour:	White
Marking cap optics:	translucent
Lens cap material:	Plastic
Lens cap colour:	Red

ELECTRICAL CHARACTERISTICS

Standards:	The switches comply with the "Standards for low-voltage switching devices" DIN EN 60947-1
-------------------	---

MECHANICAL CHARACTERISTIC

Weight:	0.05 kg
Terminal:	Screw terminal

AMBIENT CONDITION

Operating temperature:	- 40 °C ... + 55 °C
-------------------------------	---------------------

Storage temperature: - 40 °C ... + 85 °C

IP Protection: IP65 front side

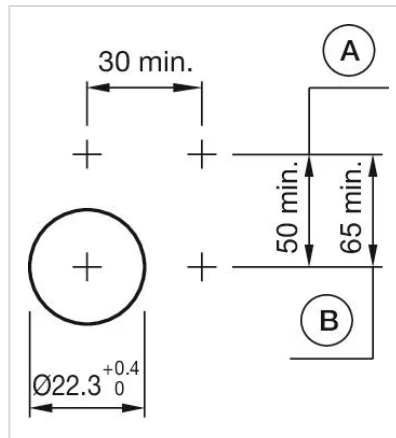
OTHER

Housing material: Plastic

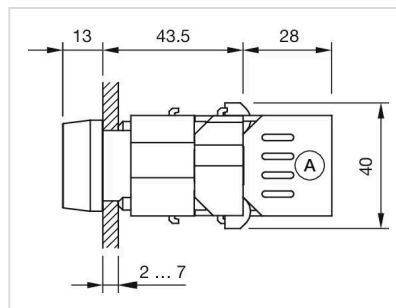
Short Description: Actuator, Ø 29 mm, round, Screw terminal

Housing colour: Grey

Mounting cut-outs:

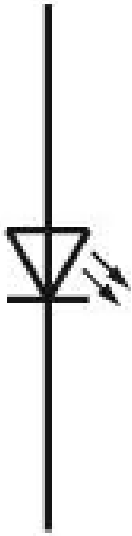


Dimension drawings:



Wiring diagrams:

x_2+



x_1-