

M12 male 0° D-cod. IDC

4-pol., 0,14 - 0,34mm², 4,5 - 8,8mm, shielded

Ethernet CAT5

Male straight

M12, 4-pole

D-coded

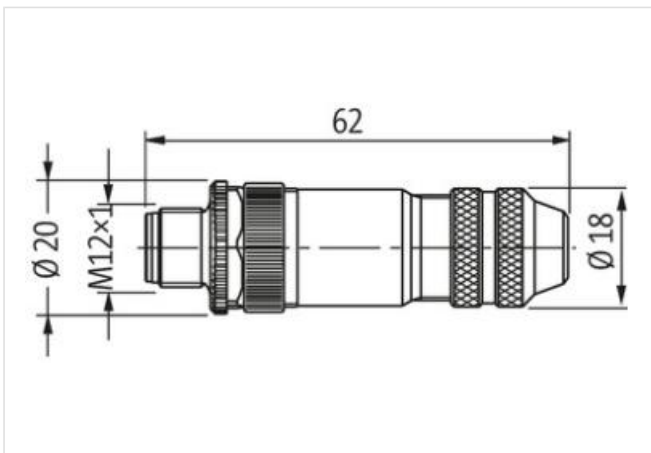
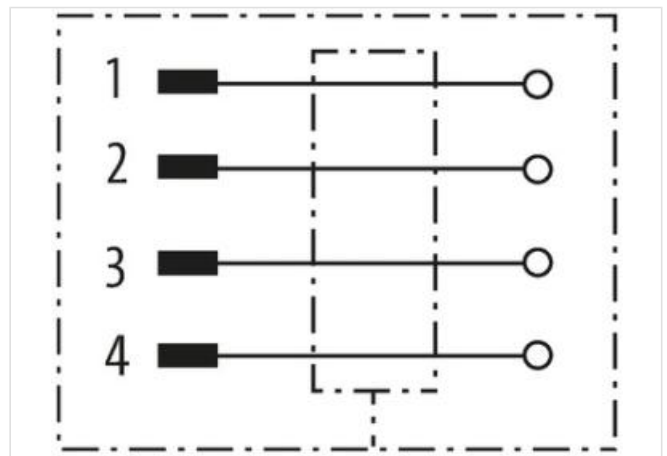
shielded

IDC terminals

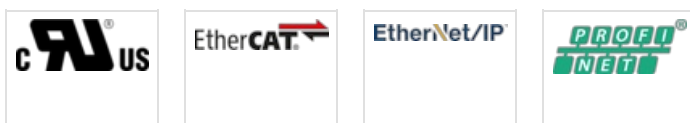
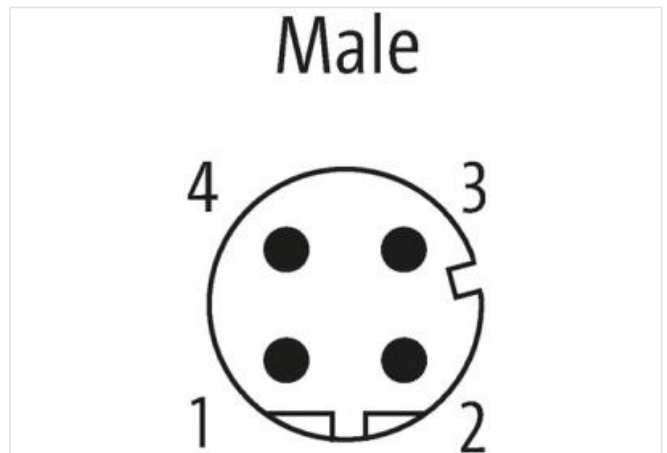
Sealing range (cable Ø): 4.5...8.8 mm

[Link to Product](#)

Illustration



Product may differ from Image



Form

Form 14521

Technical Data

Operating voltage max. 50 V AC/DC

Operating current per contact	max. 4 A
Transfer parameters	CAT5, Class D (ISO/IEC 11801:2002), (EN 50173-1)
Transfer rate	up to 100 Mbit/s full duplex
Coding	M12, D-coded
Locking of ports	Screw thread (M12×1 mm) recommended torque 0.6 Nm, self-securing
Connection cross section	0.14...0.34 mm ²
Sealing range (cable Ø)	4.5...8.8 mm
Protection	IP65 and IP67 when plugged and screwed down (EN 60529)
Locking material	Zinc die casting, matte nickel plated

General data

Temperature range	-40...+85 °C
Product article number of manufacturer	7000-14521-0000000